

成品尺寸:140X210mm

**POKIPO**

**POWER TOOL ORGANIZER  
WALL MOUNT  
WITH CHARGING STATION**

User Manual

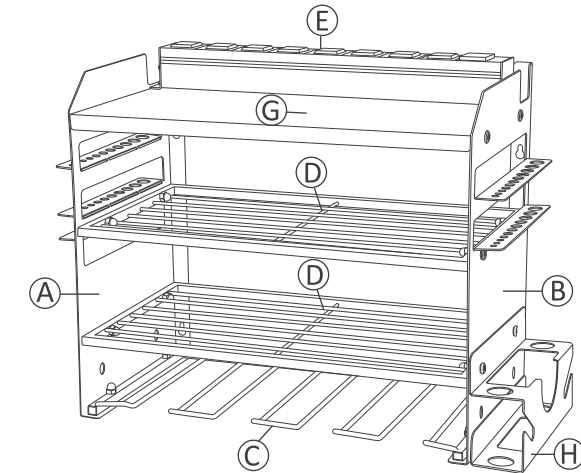


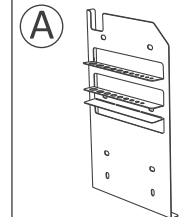
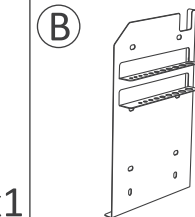
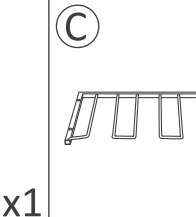
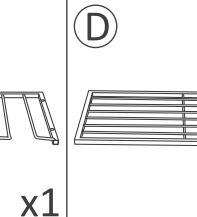
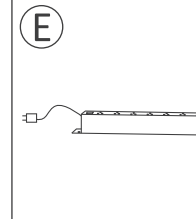
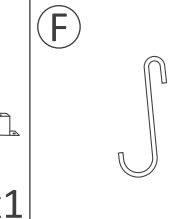
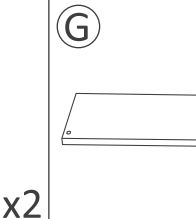
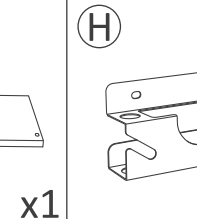
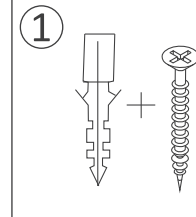
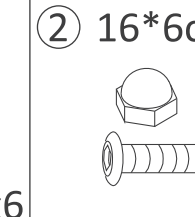
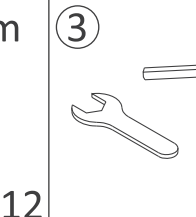
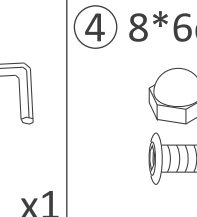
Read this manual carefully and completely, and retain for future reference.

**WARNINGS & CAUTIONS**

- Before installation, check all parts according to the parts list and verify whether the parts are complete. Contact us if you have any questions.
- Assemble the product in the correct order as instructed in this manual.

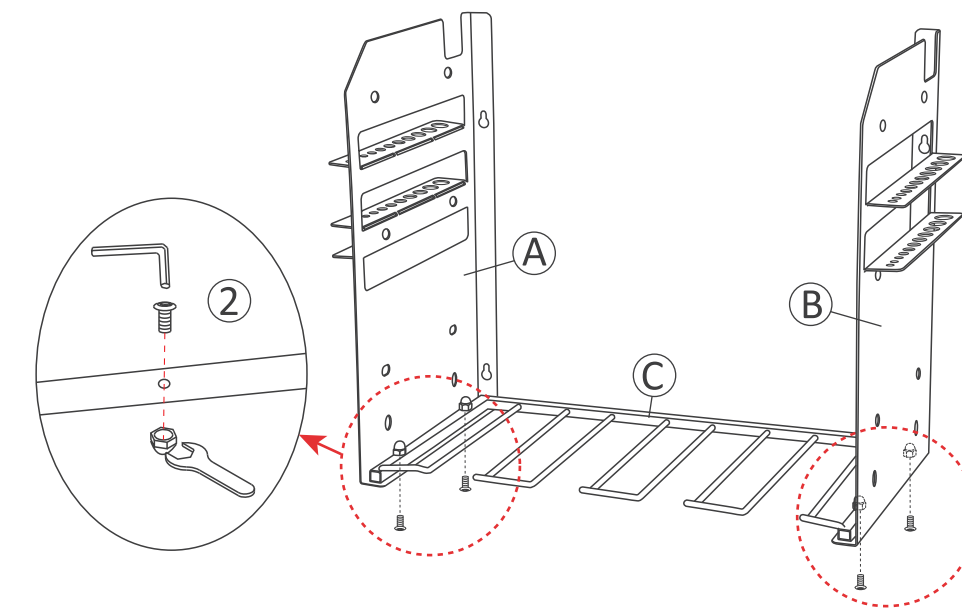
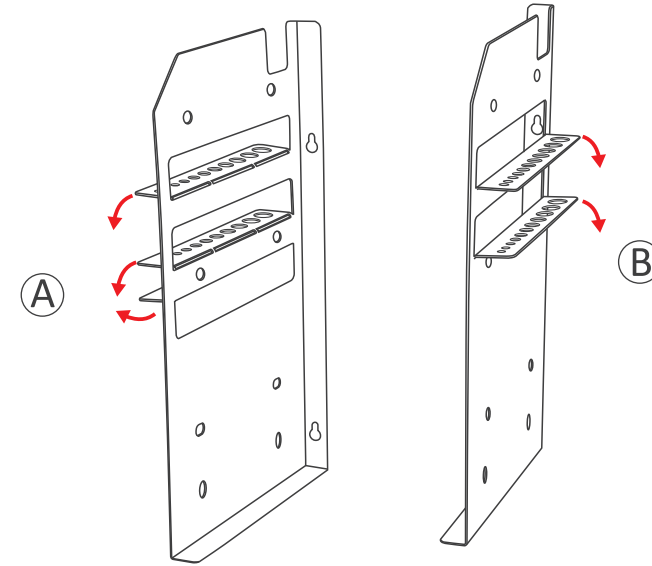
**PARTS LIST**



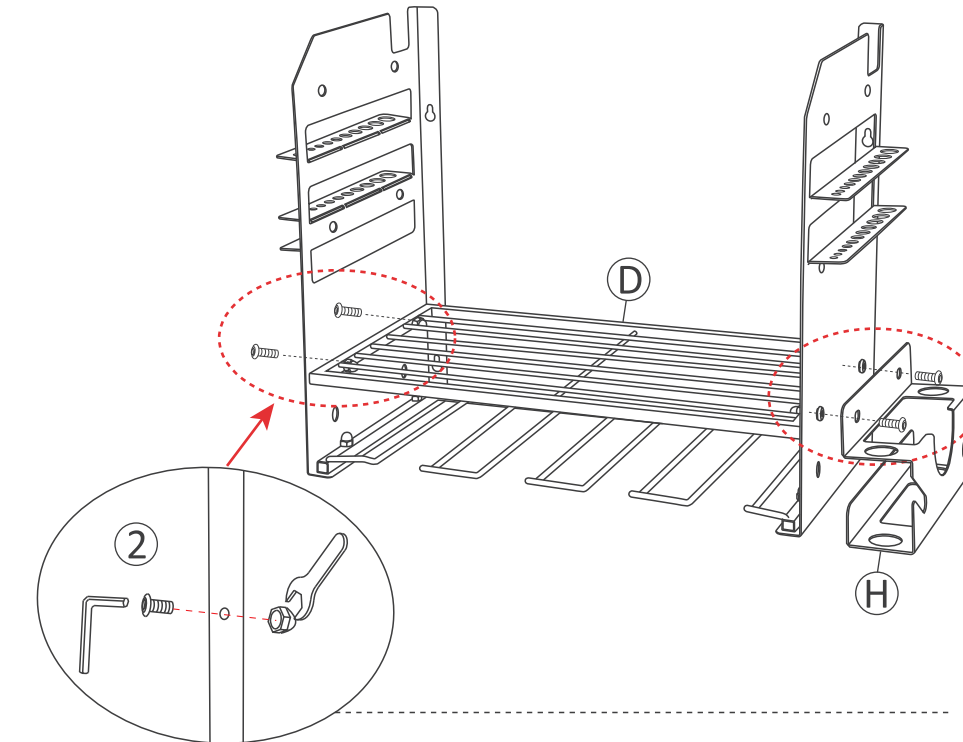
 x1	 x1	 x1	 x2
 x1	 x2	 x1	 x1
 x6	 x12	 x1	 x6

**INSTALLATION STEPS**

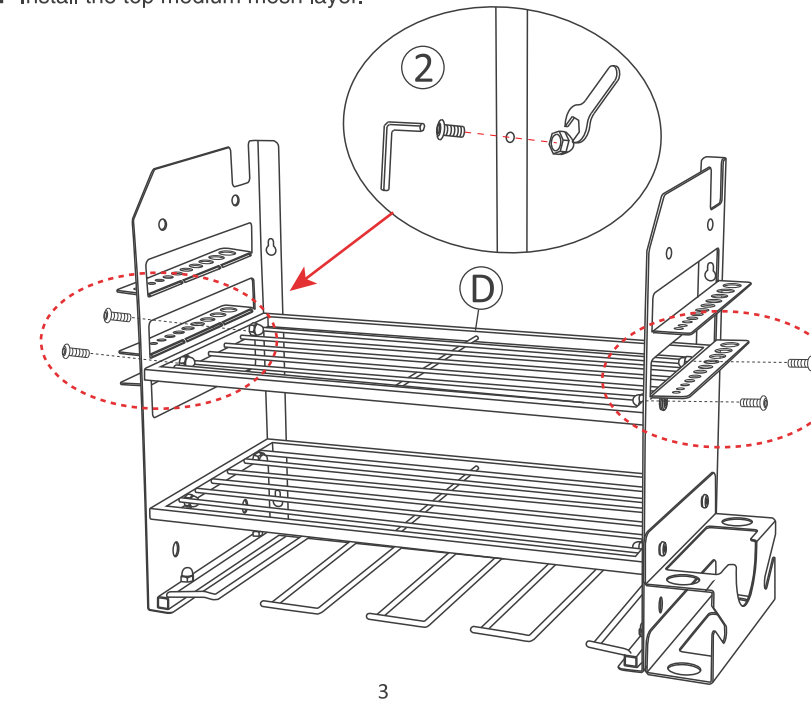
**STEP 1:** Bend the screwdriver holders on both side frames by hand for use, then attach the drill holder to the side frames.



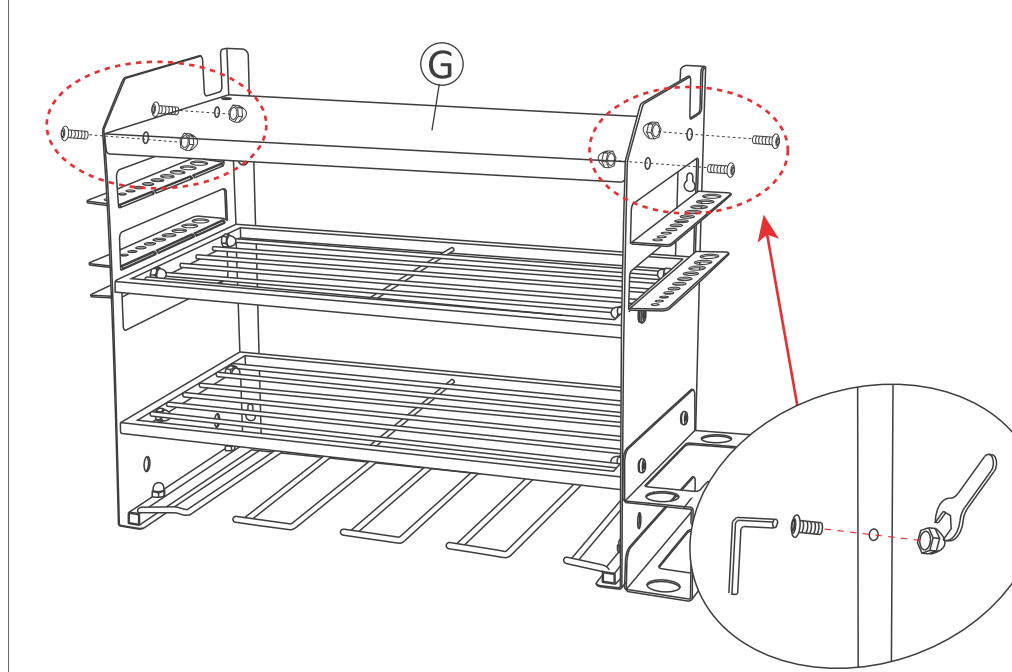
**STEP 2:** Place the bottom medium mesh layer and secure the angle grinder holder.



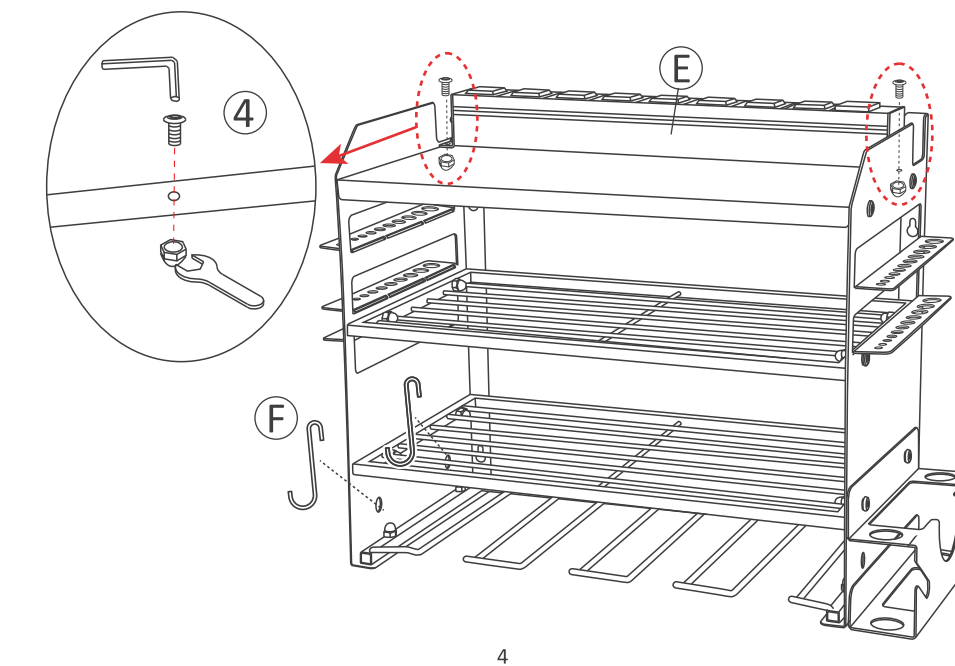
**STEP 3:** Install the top medium mesh layer.



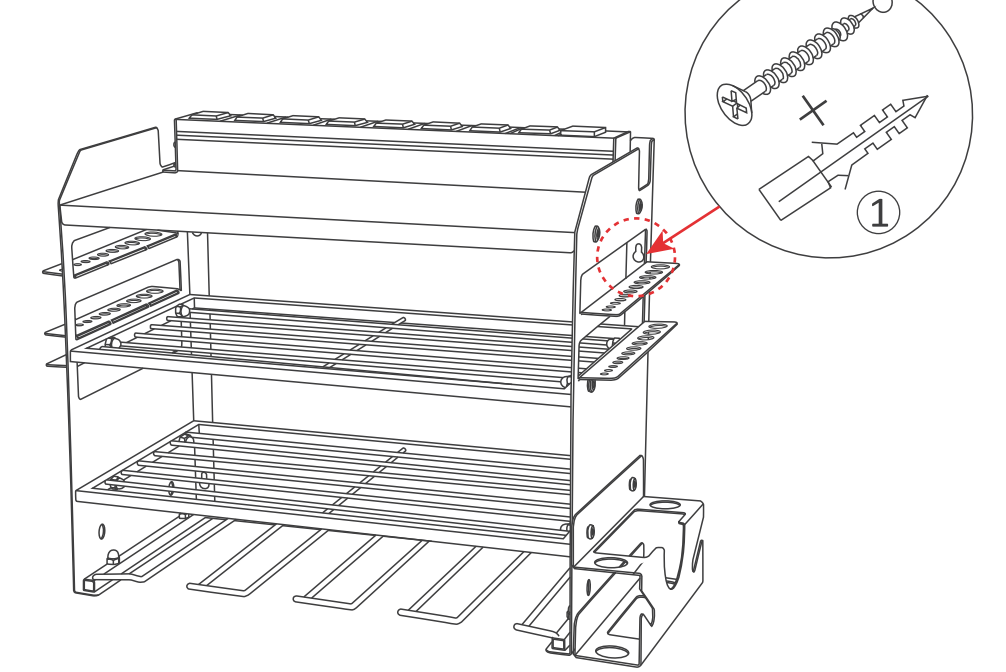
**STEP 4:** Install the top shelf.



**STEP 5:** Secure the 8-outlet power strip.



**STEP 6:** Use expansion nails to mount the power tool organizer.



**WARRANTY AND SERVICE**

Our commitment to you doesn't end with the purchase. If you encounter any issues or have questions about our products, feel free to contact our dedicated customer service team. We are here to help and will go the extra mile to ensure your satisfaction. Your happiness is our priority, and we'll work tirelessly to resolve any problems you may encounter. Don't hesitate to reach out; we are always ready to assist you.