

Record Player Stand

User Manual

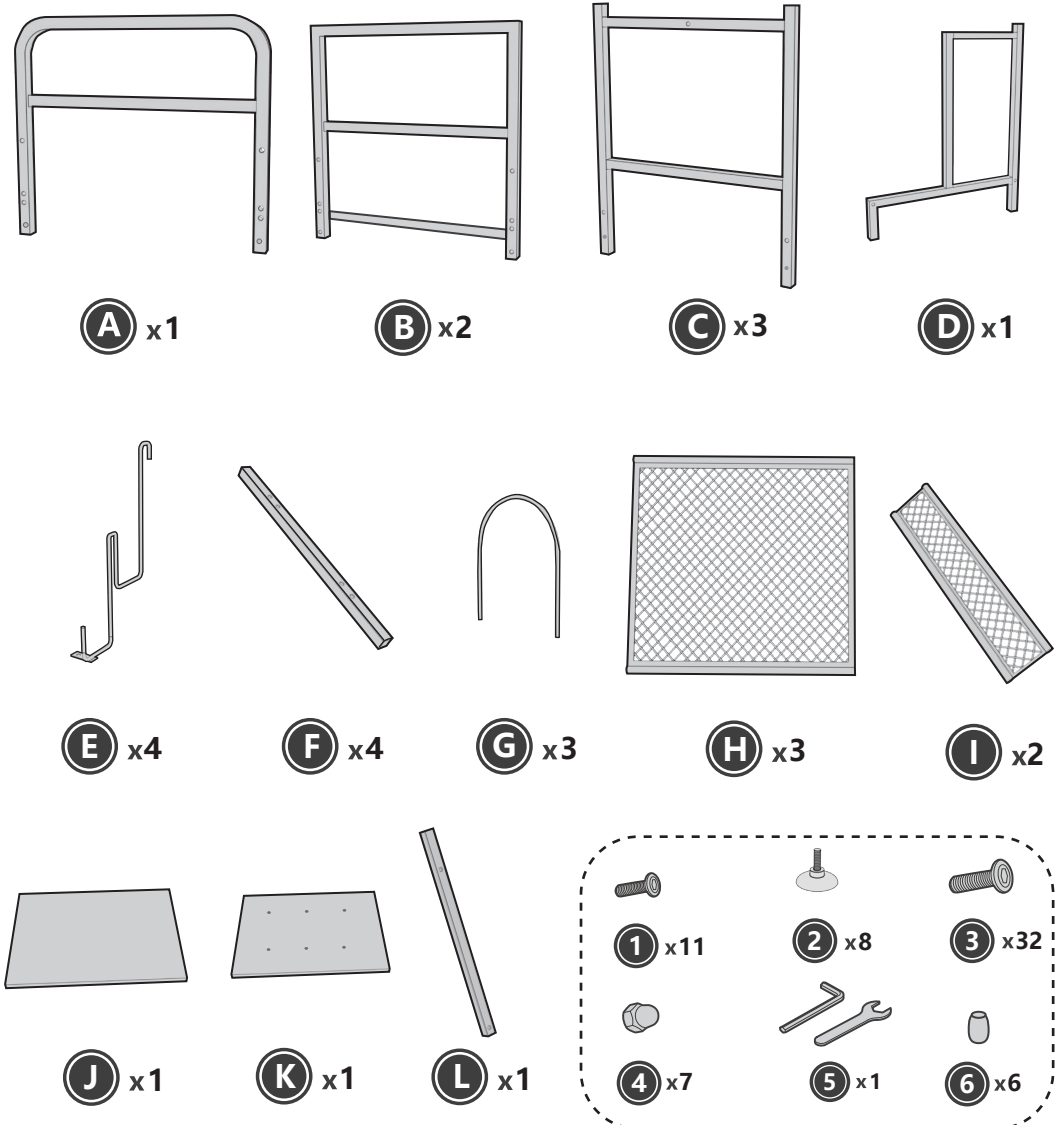


Read this manual carefully and completely, and retain for future reference.

WARNINGS & CAUTIONS

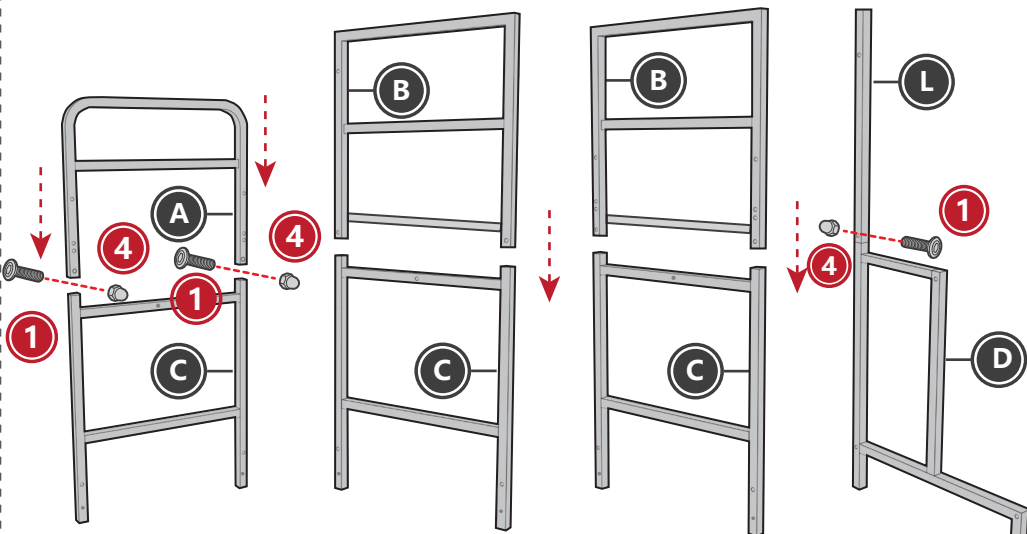
- Before installation, check all parts according to the parts list and verify whether the parts are complete. Contact us if you have any questions.
- Assemble the product in the correct order as instructed in this manual.

PARTS LIST



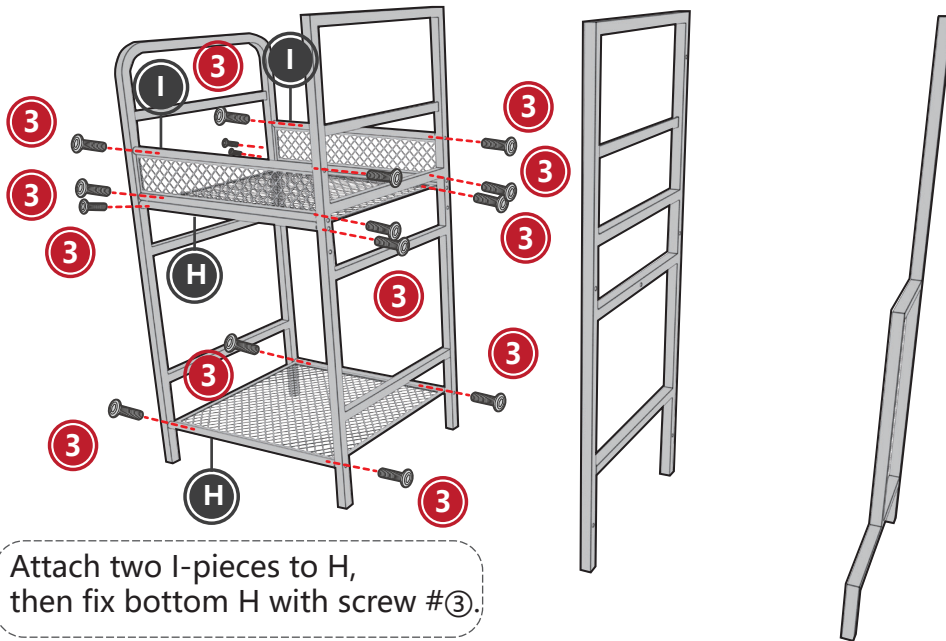
INSTALLATION STEPS

STEP 1



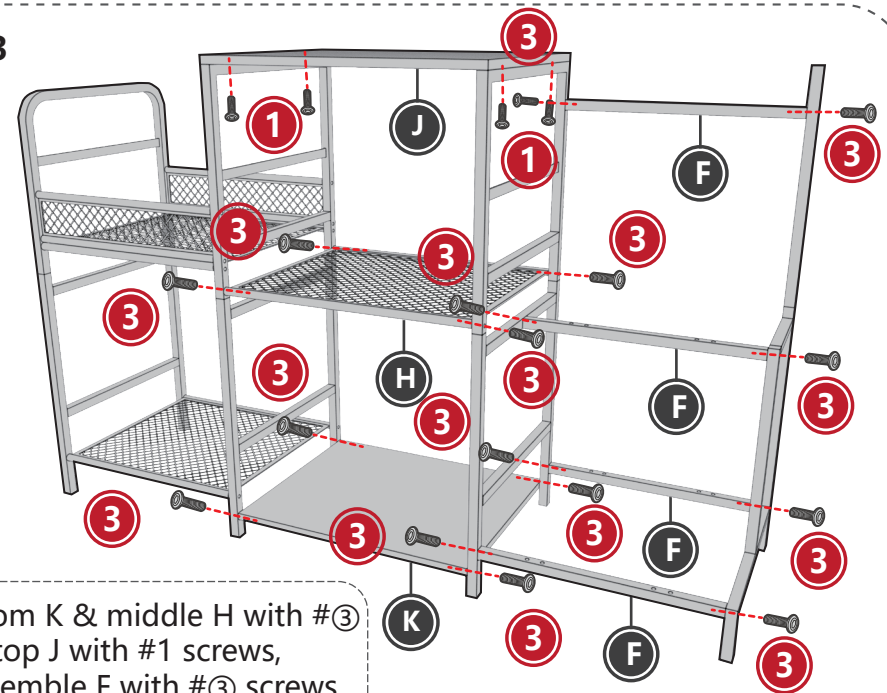
Assemble A & C, L & D with screw #① and nut #④. Slide B into C.

STEP 2



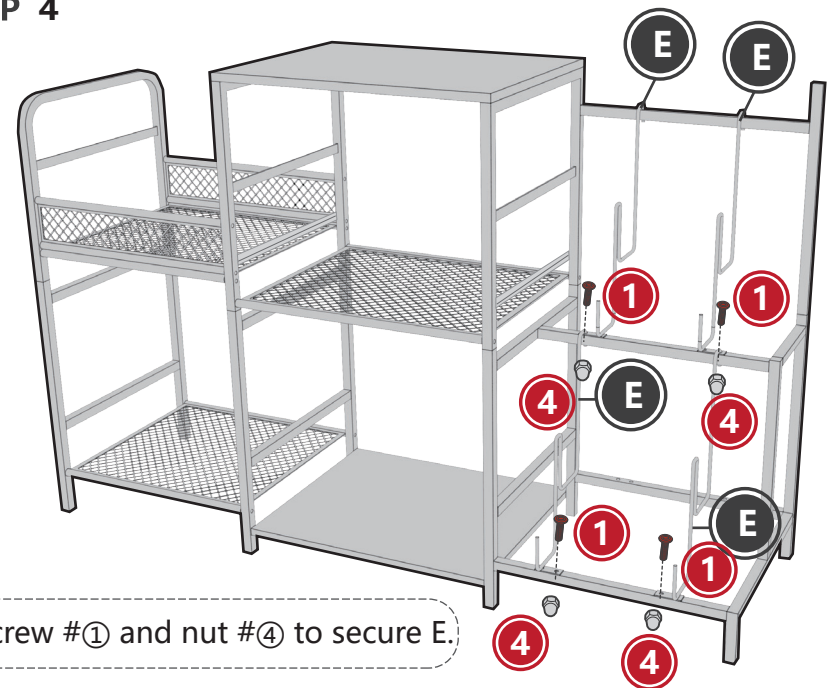
Attach two I-pieces to H, then fix bottom H with screw #③.

STEP 3



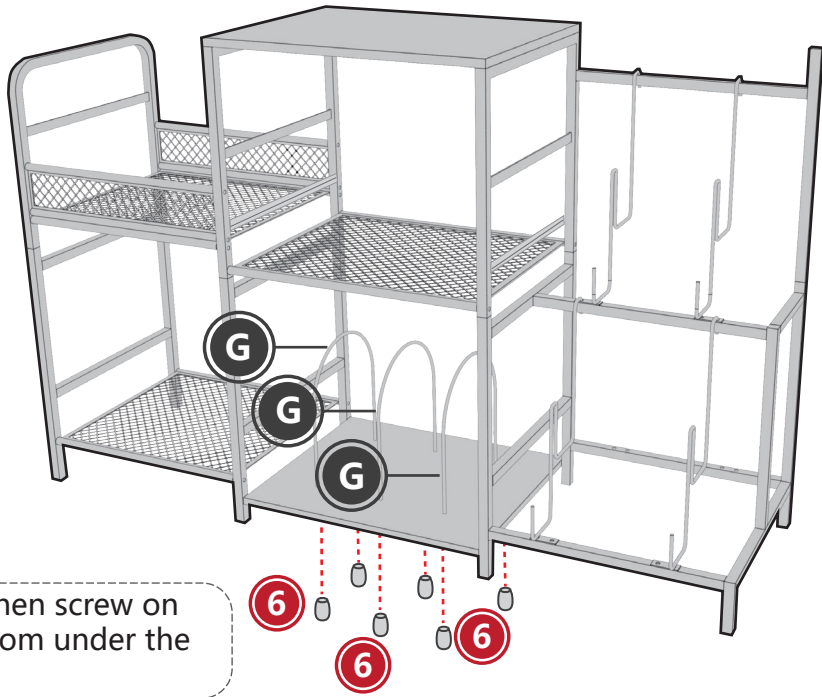
Fix bottom K & middle H with #③ screws, top J with #① screws, then assemble F with #③ screws.

STEP 4



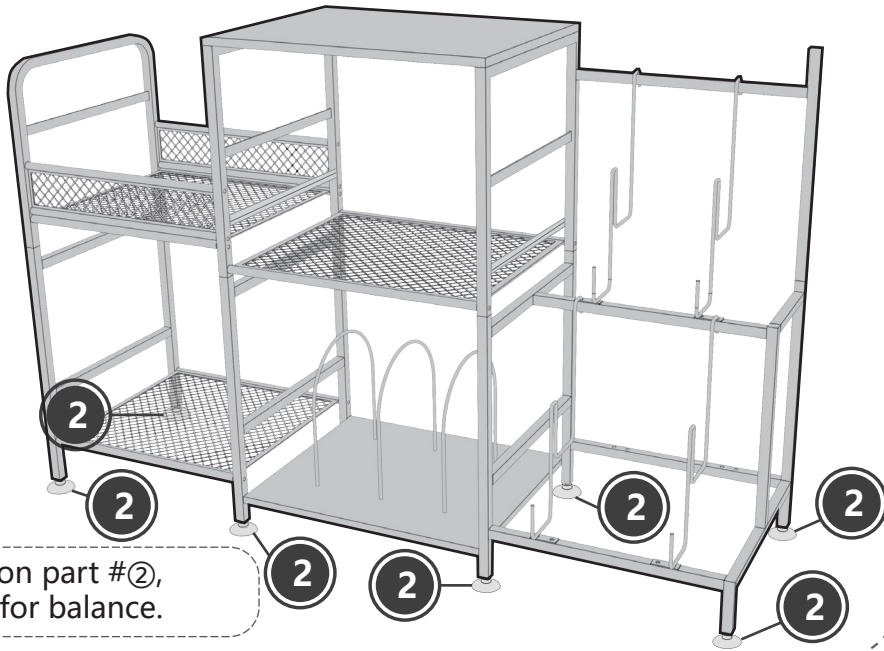
Use screw #① and nut #④ to secure E.

STEP 5



Insert G, then screw on Part #⑥ from under the K board.

STEP 6



Screw on part #②, adjust for balance.

POKIPO