

## Jigsaw Puzzle Table

### User Manual

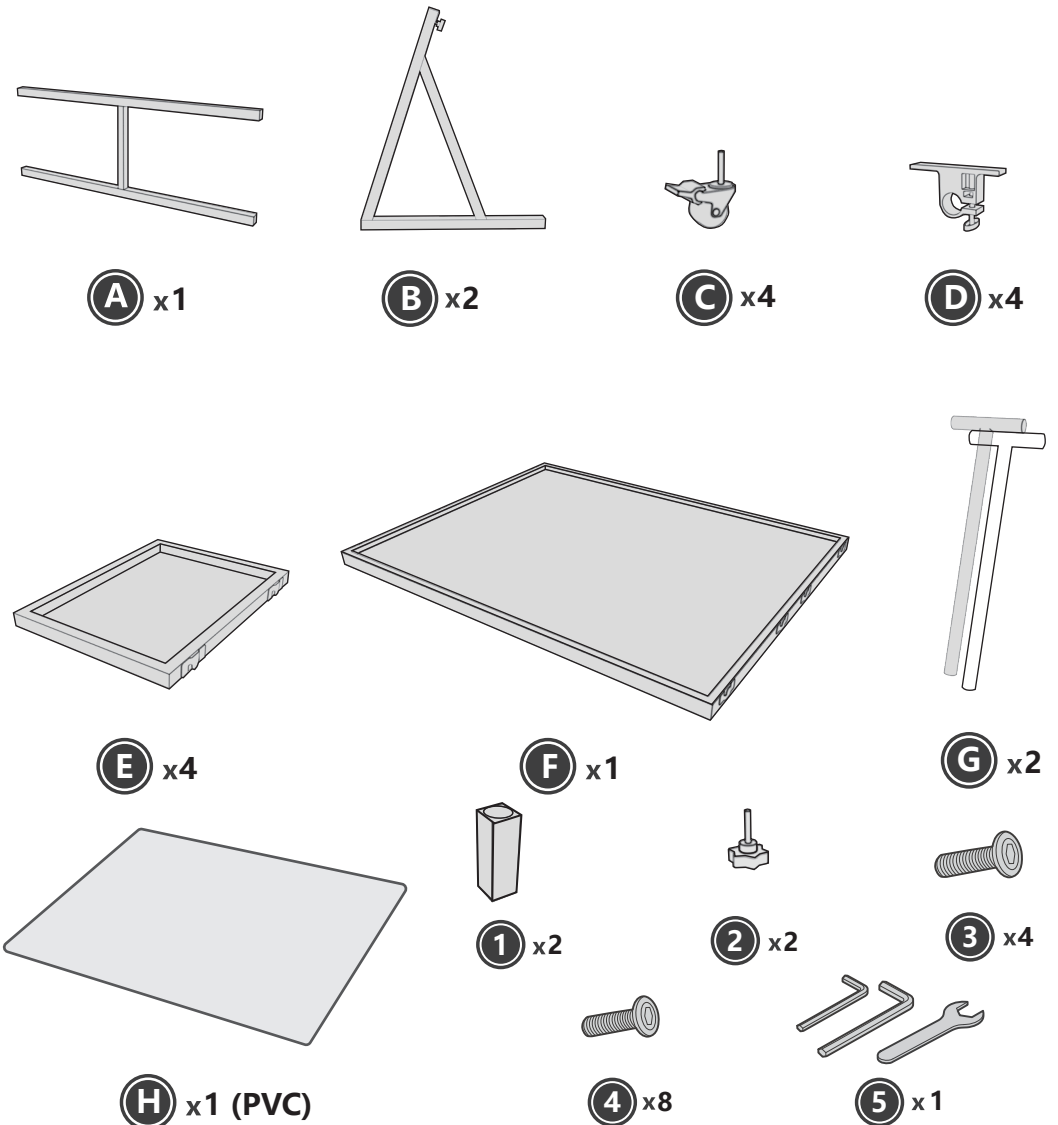


Read this manual carefully and completely, and retain for future reference.

### WARNINGS & CAUTIONS

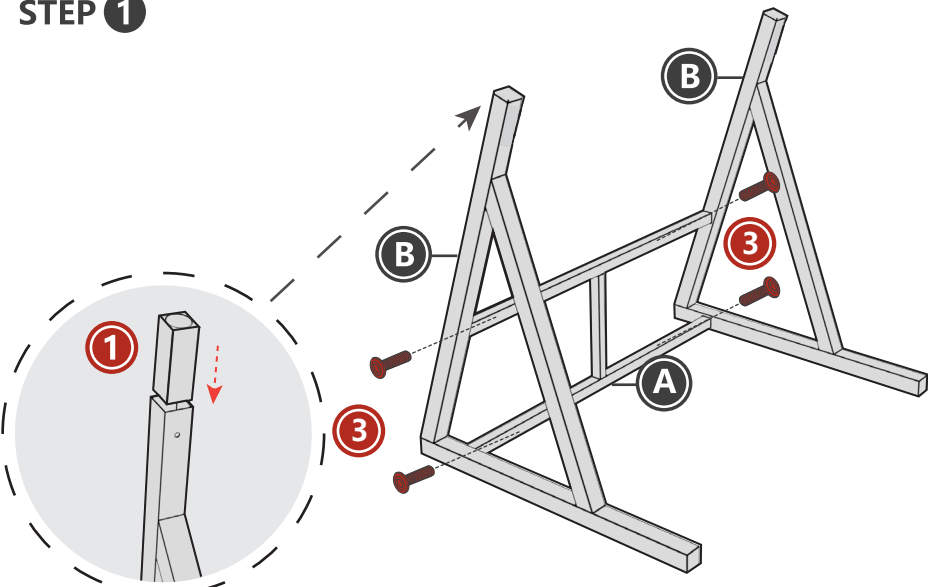
- Before installation, check all parts according to the parts list and verify whether the parts are complete. Contact us if you have any questions.
- Assemble the product in the correct order as instructed in this manual.

### PARTS LIST

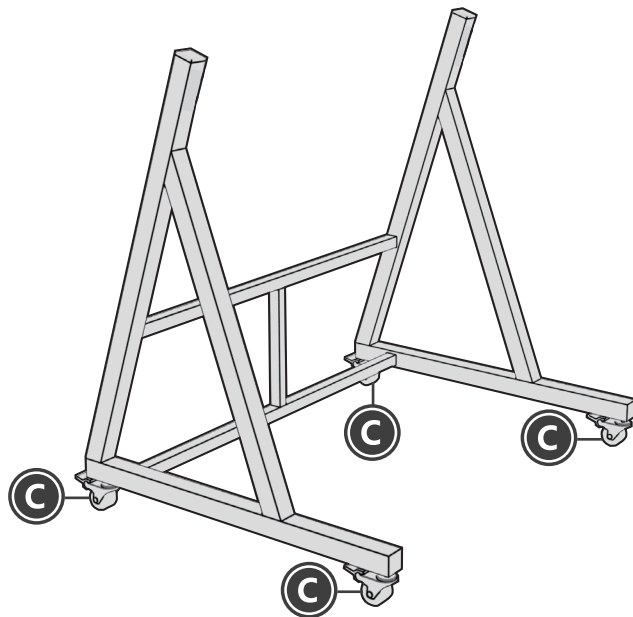


# INSTALLATION STEPS

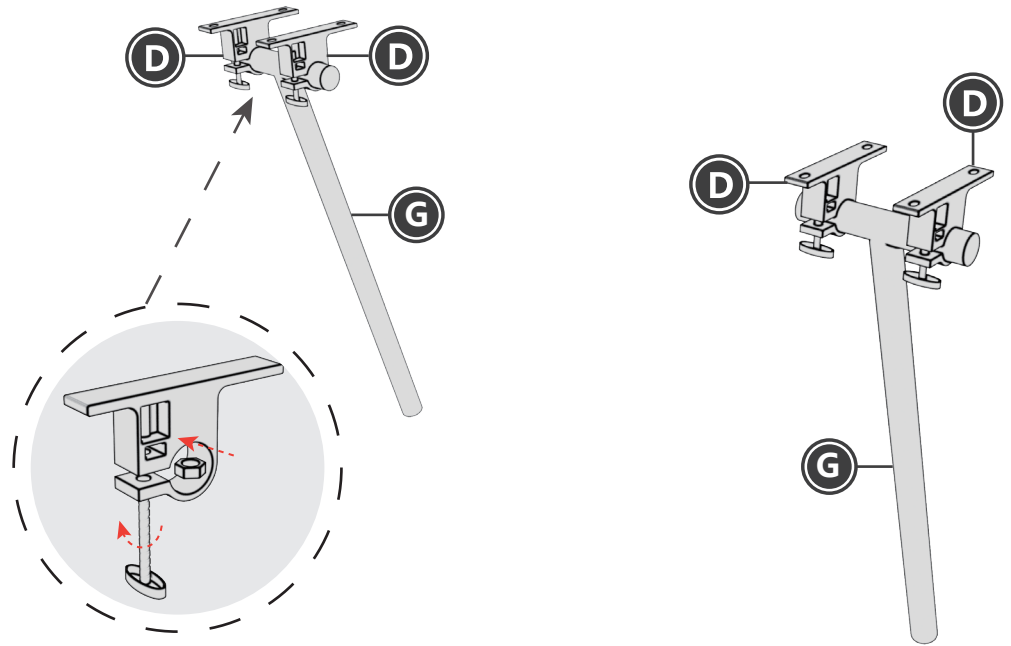
## STEP 1



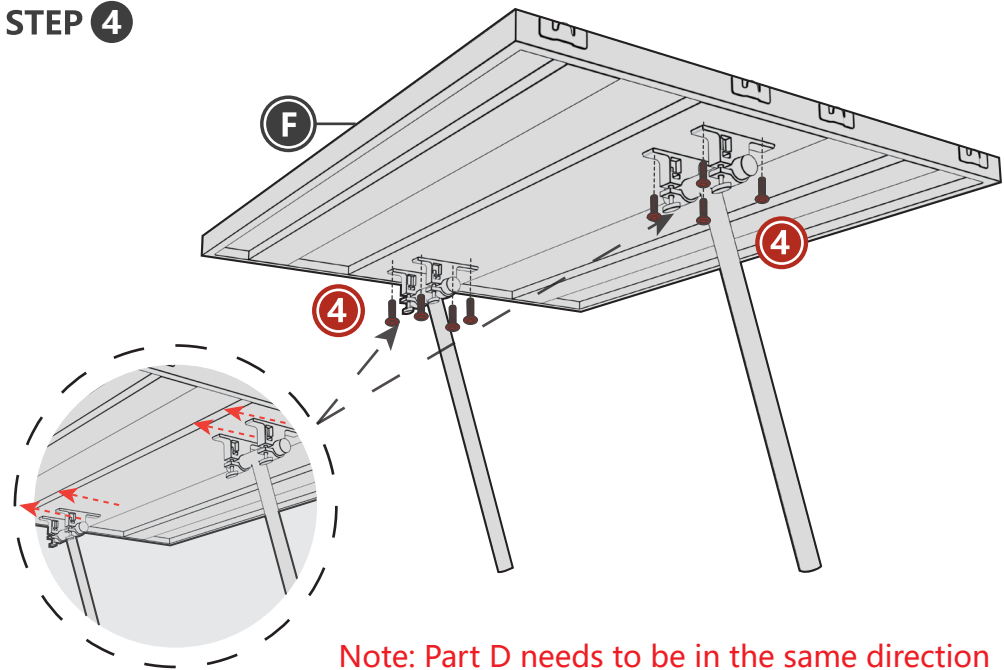
## STEP 2



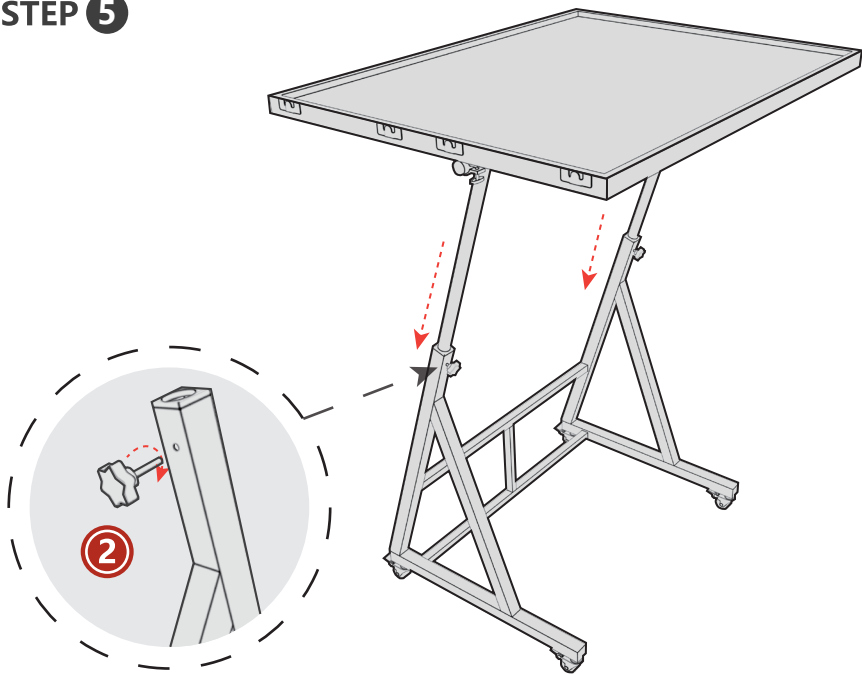
## STEP 3



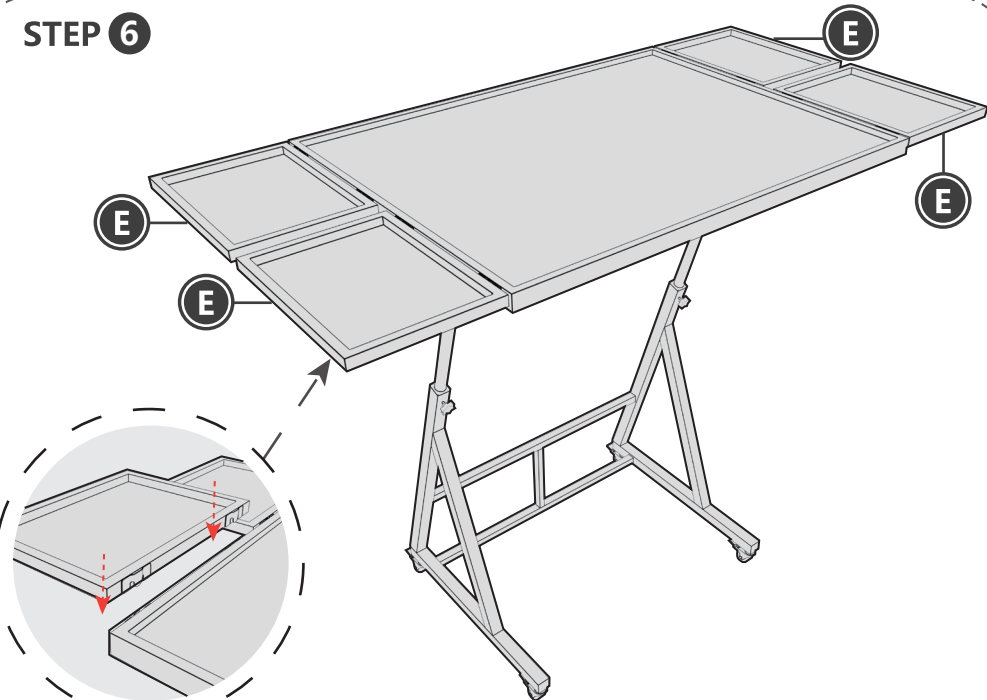
## STEP 4



**STEP 5**



**STEP 6**



# POKIPO