

Printer Stand Table

User Manual

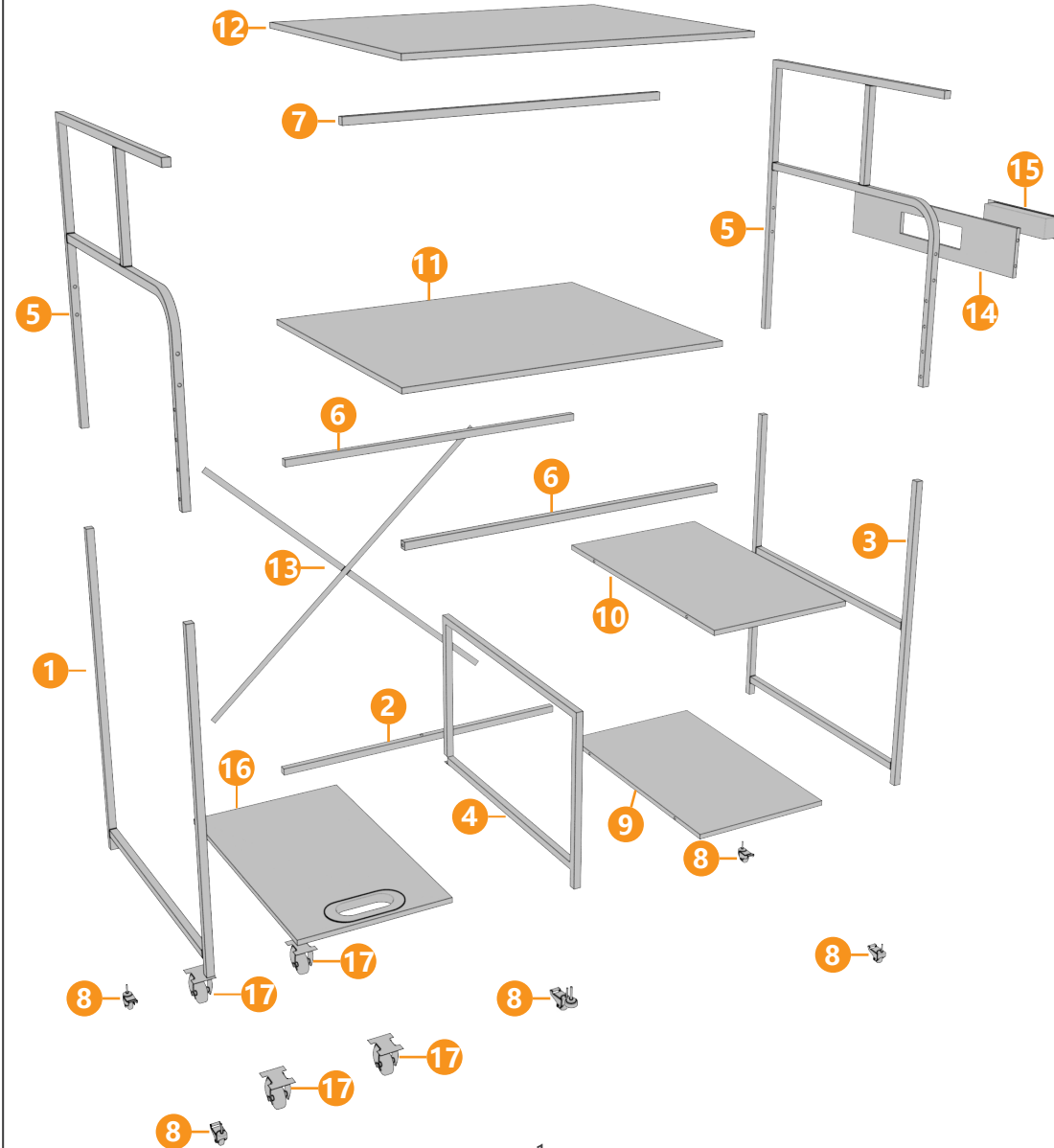


Read this manual carefully and completely, and retain for future reference.

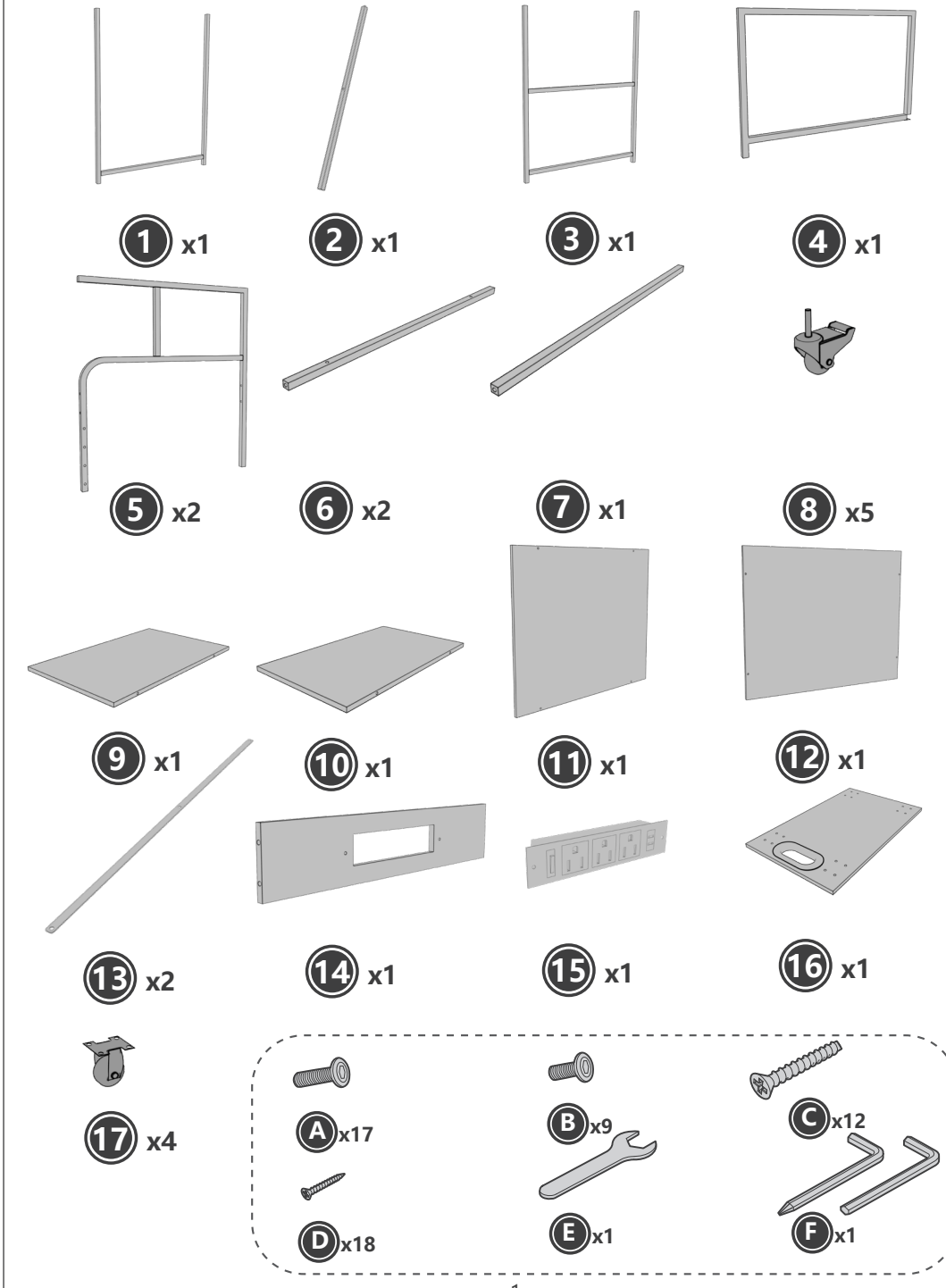
WARNINGS & CAUTIONS

- Before installation, check all parts according to the parts list and verify whether the parts are complete. Contact us if you have any questions.
- Assemble the product in the correct order as instructed in this manual.

PARTS LIST

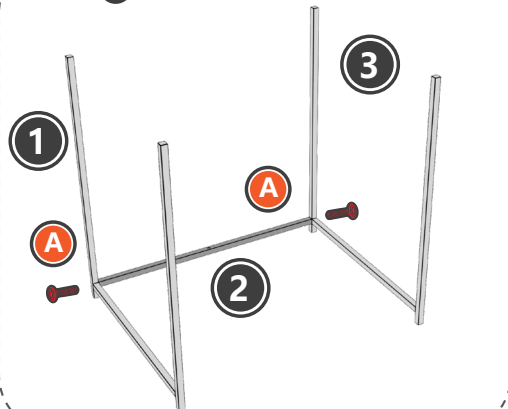


PARTS LIST

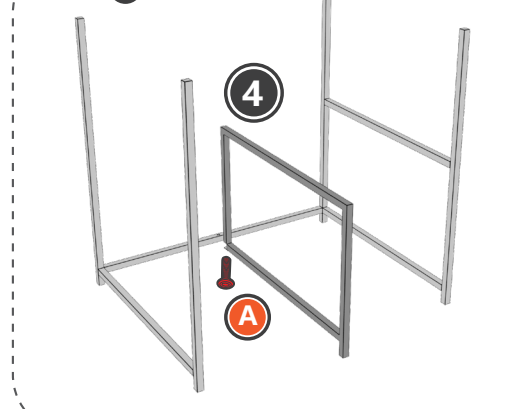


INSTALLATION STEPS

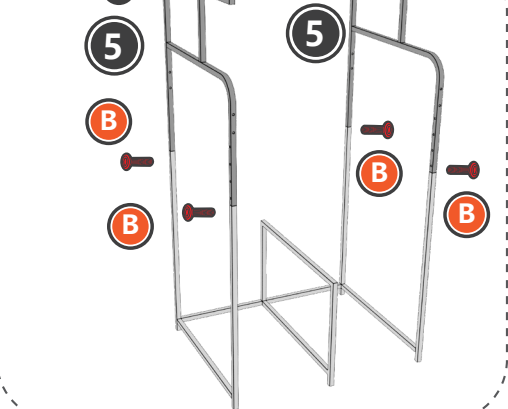
STEP 1



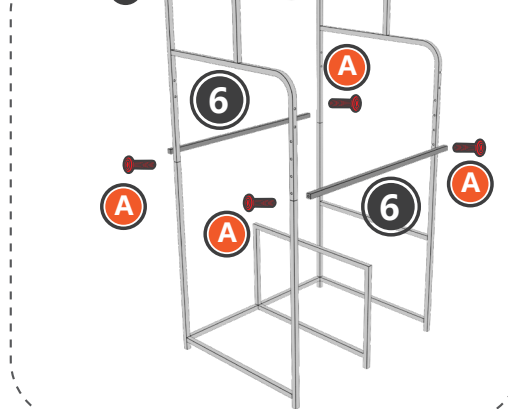
STEP 2



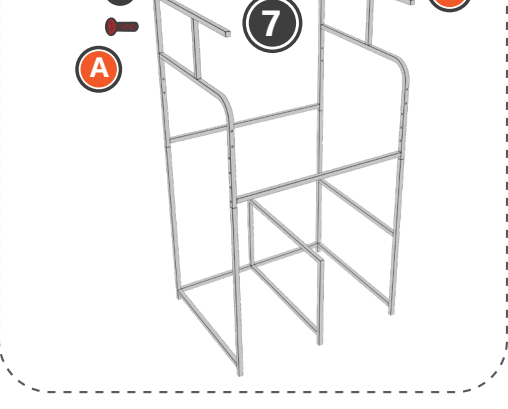
STEP 3



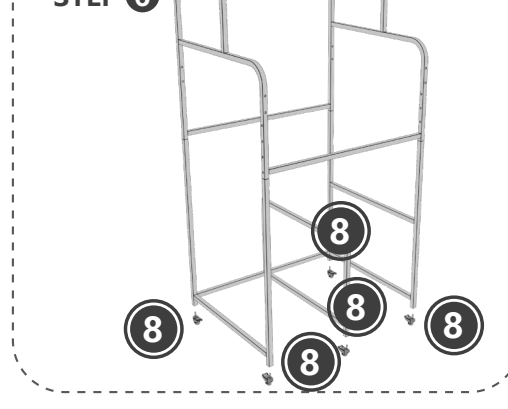
STEP 4



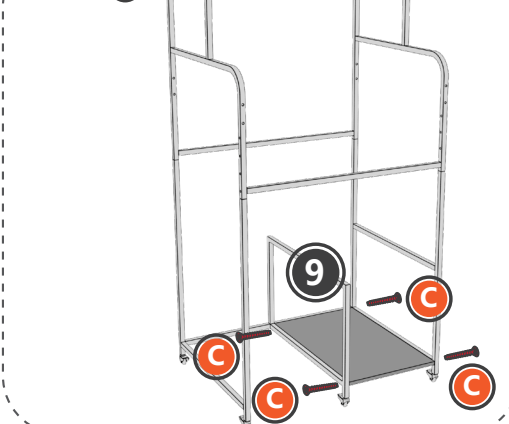
STEP 5



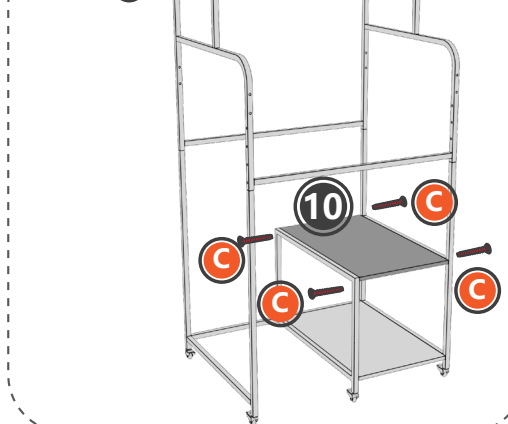
STEP 6



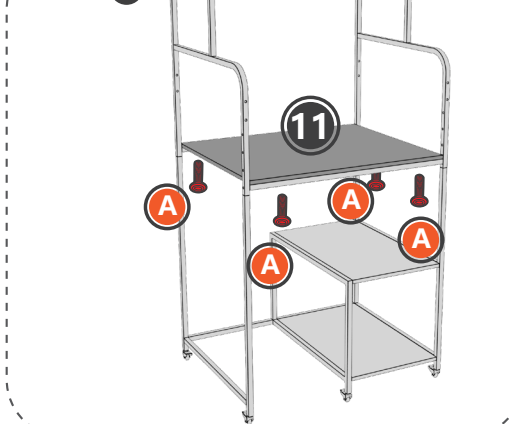
STEP 7



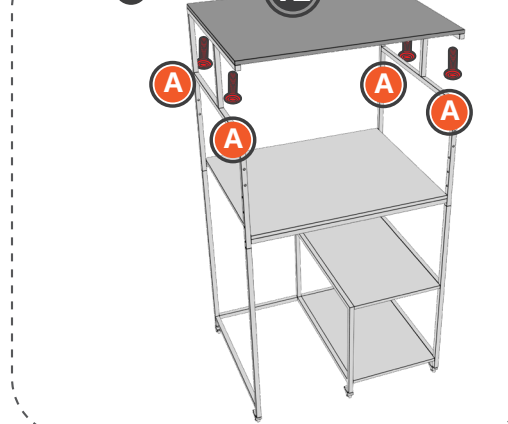
STEP 8



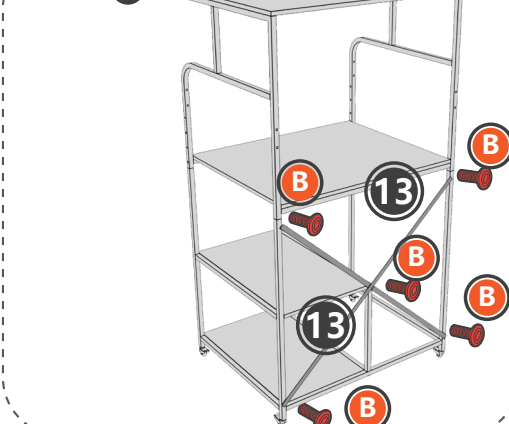
STEP 9



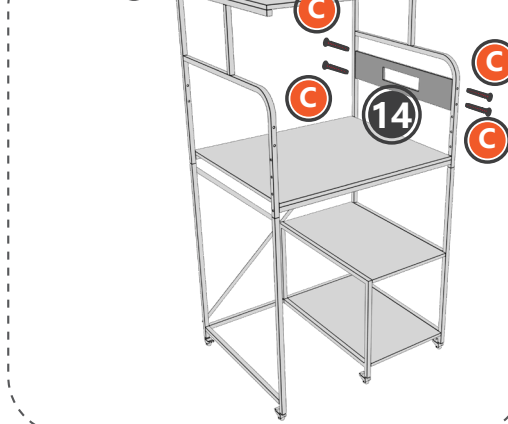
STEP 10



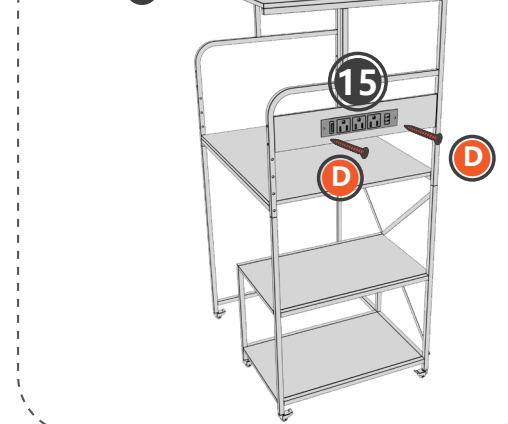
STEP 11



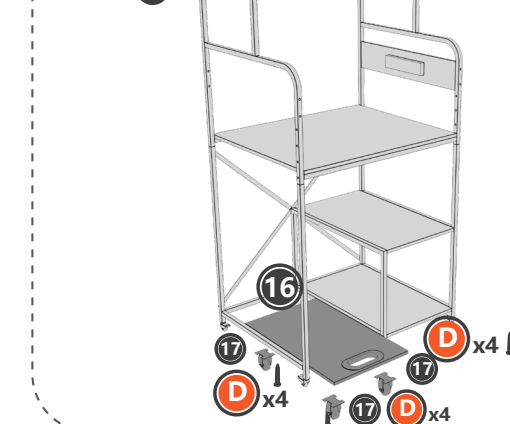
STEP 12



STEP 13



STEP 14



THINGS TO NOTE

- ② has a hole in the center to avoid confusion with component ⑥ and component ⑦.
- Part ⑦ has no holes in it.
- Part ⑥ has holes at both ends.
- Planks ⑨ is smaller in size than planks ⑩, and component ⑨ is located on the bottom floor.
- Plank ① is smaller than part ⑫ and part ① planks are in the center.
- Based on your use, the power supply can be mounted on the left or right side.