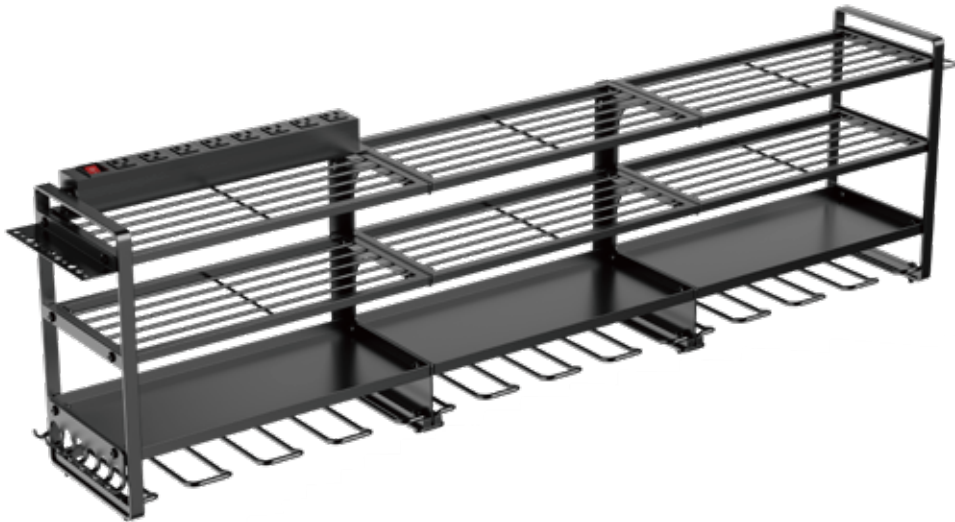


# Power Tool Organizer Wall Mount

User Manual

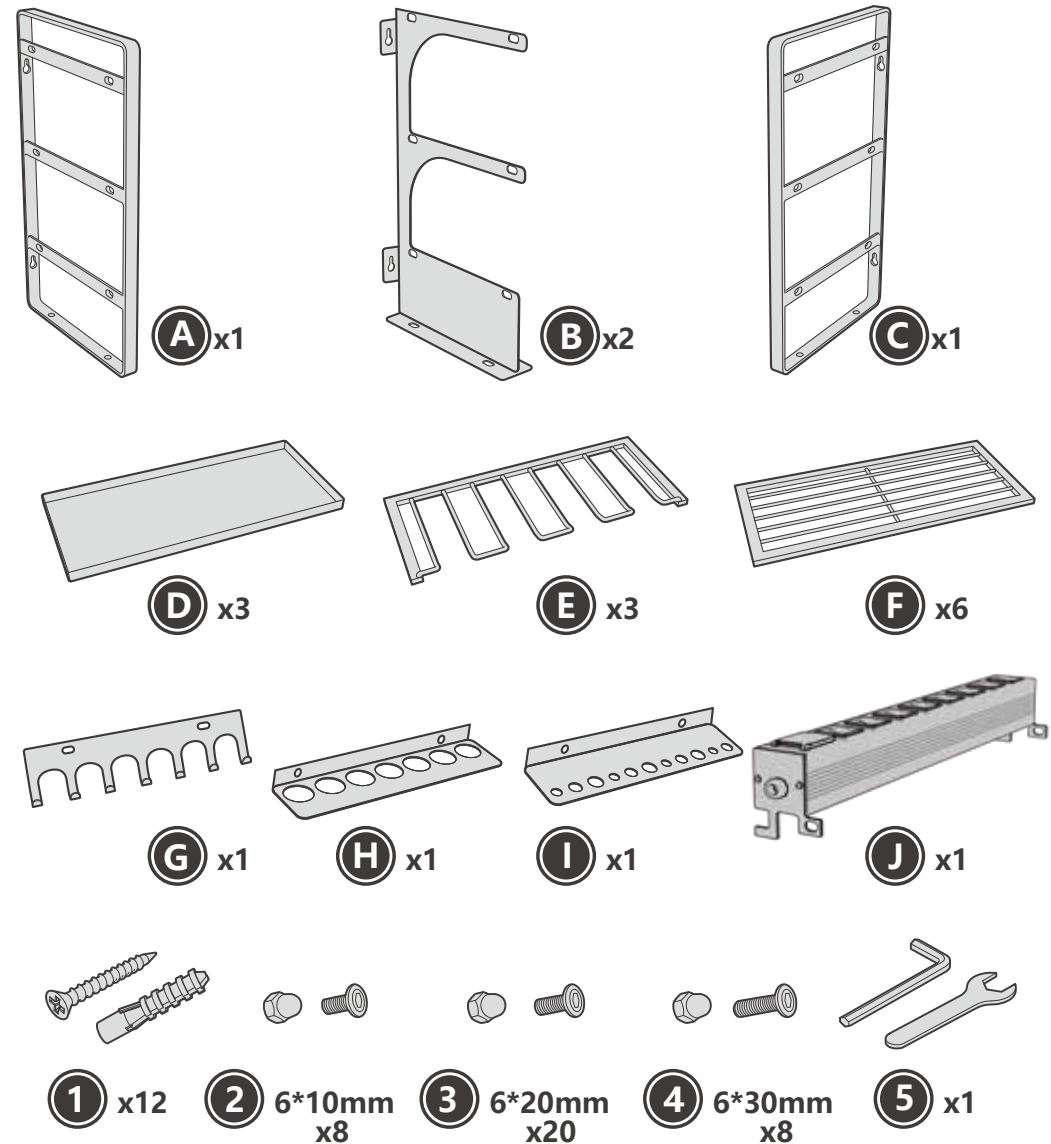


Read this manual carefully and completely, and retain for future reference.

## WARNINGS & CAUTIONS

- Before installation, check all parts according to the parts list and verify whether the parts are complete. Contact us if you have any questions.
- Assemble the product in the correct order as instructed in this manual.

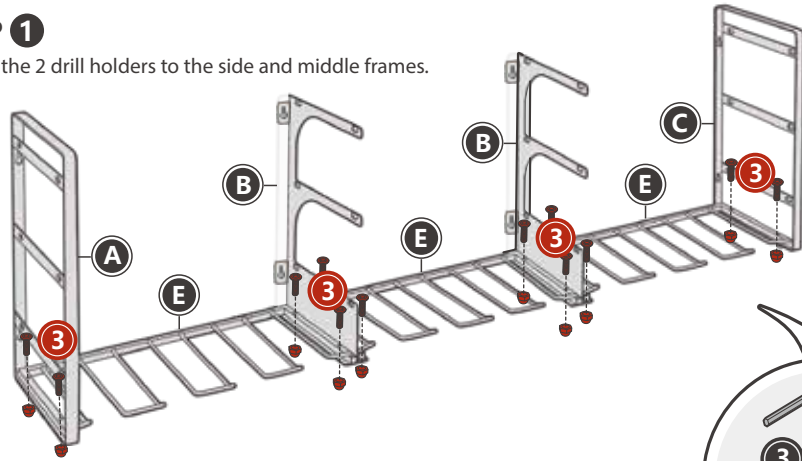
## PARTS LIST



## INSTALLATION STEPS

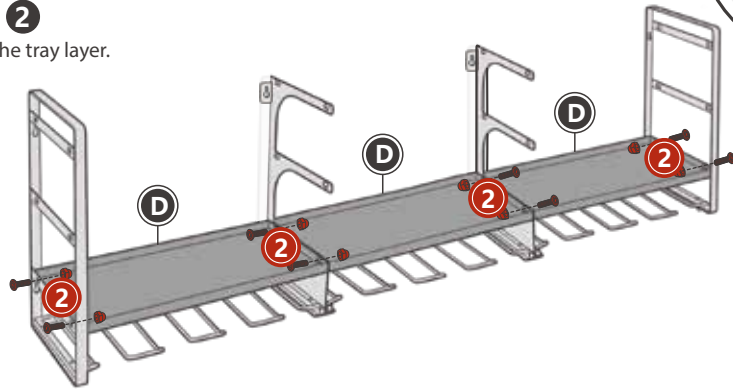
### STEP 1

Attach the 2 drill holders to the side and middle frames.



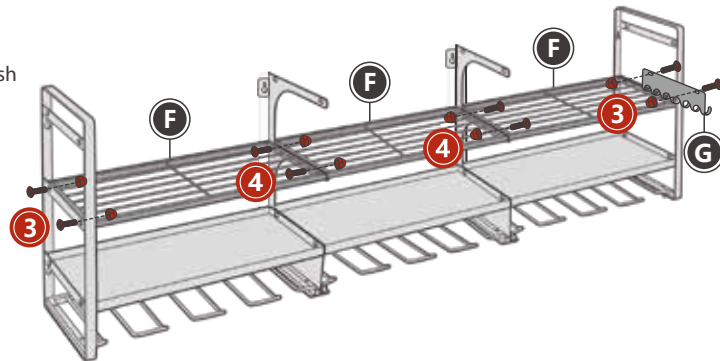
### STEP 2

Install the tray layer.



### STEP 3

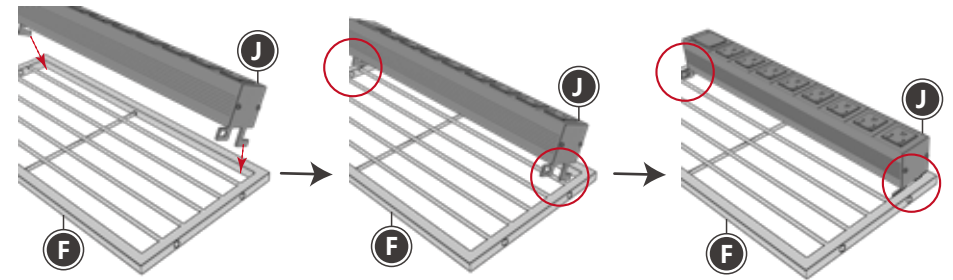
Install the medium mesh layer and secure the hanging hook.




## INSTALLATION STEPS

### STEP 4

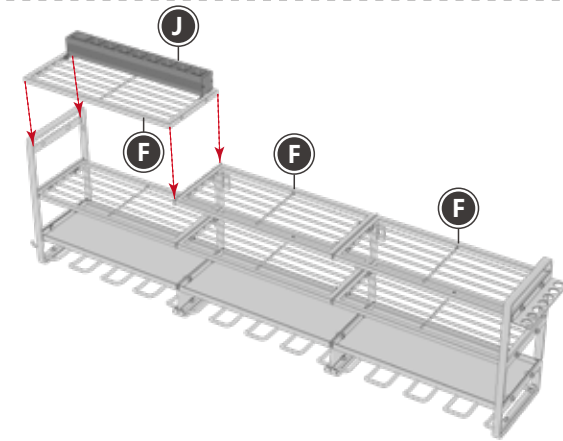
Get one mesh layer and connect it to the power strip.



 Tilt the power strip and slide its fixing feet into the mesh layer's edge, lining up with the screw hole.

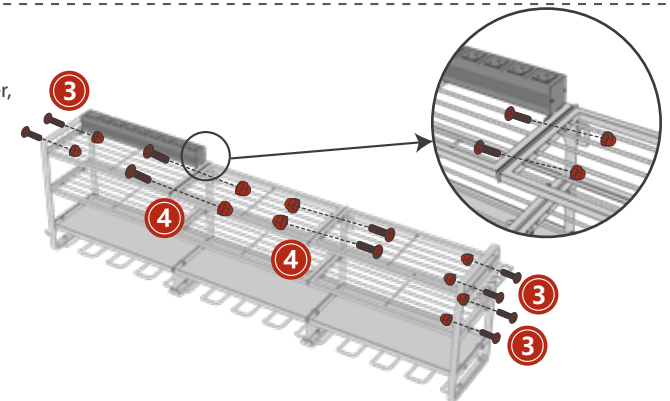
### STEP 5

Put the mesh layer in the shelf.



### STEP 6

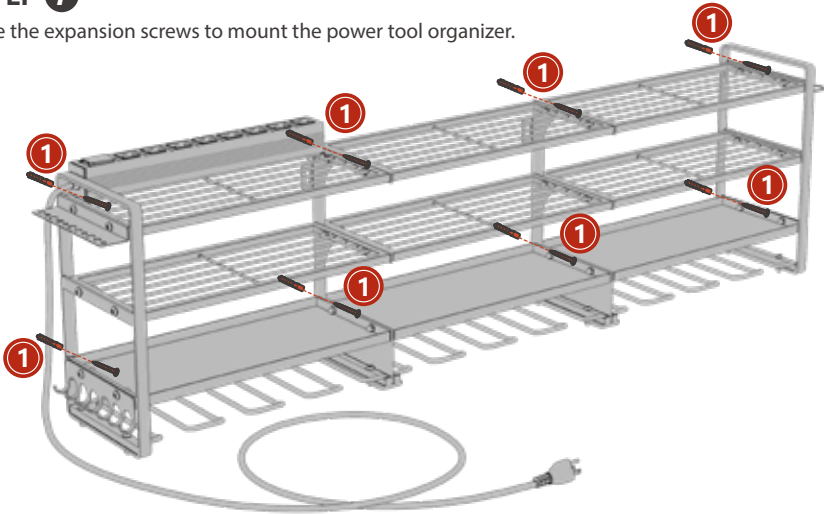
Install the top mesh layer, and secure the pliers holder and the screwdriver holder.



## INSTALLATION STEPS

### STEP 7

Use the expansion screws to mount the power tool organizer.



## WARRANTY AND SERVICE

Our commitment to you doesn't end with the purchase. If you encounter any issues or have questions about our products, feel free to contact our dedicated customer service team. We are here to help and will go the extra mile to ensure your satisfaction. Your happiness is our priority, and we'll work tirelessly to resolve any problems you may encounter. Don't hesitate to reach out; we are always ready to assist you.