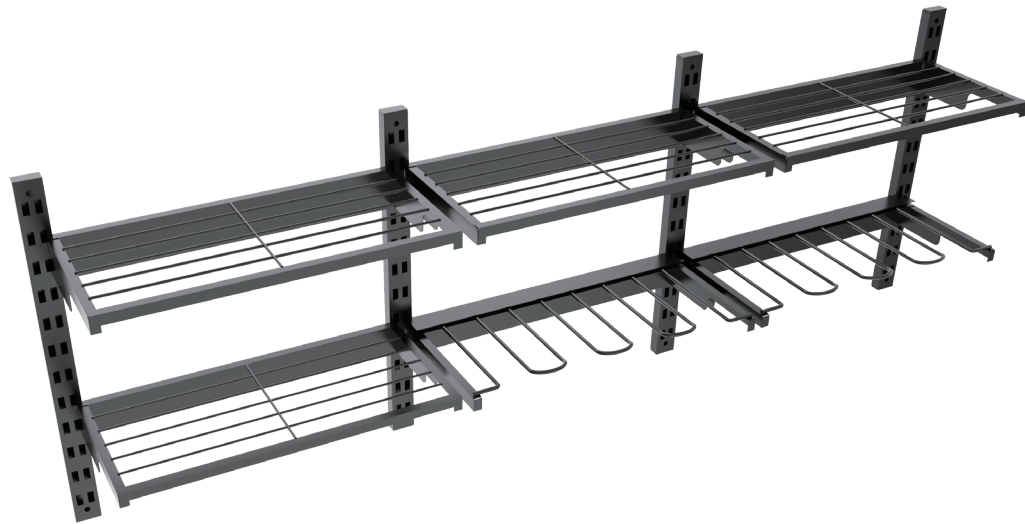


Garage Wall System

User Manual



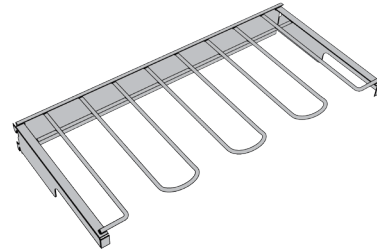
WARNINGS & CAUTIONS

- Before installation, check all parts according to the parts list and verify whether the parts are complete. Contact us if you have any questions.
- Assemble the product in the correct order as instructed in this manual.

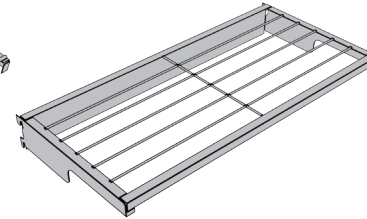
PARTS LIST



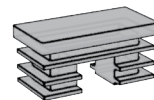
A x4



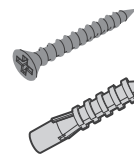
B x2



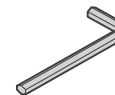
C x4



D x8



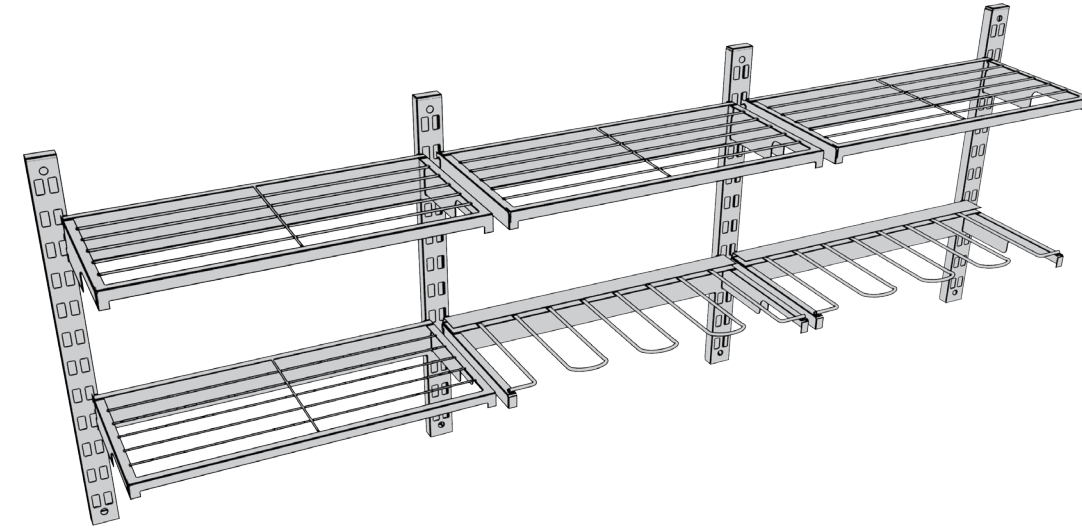
1 x8



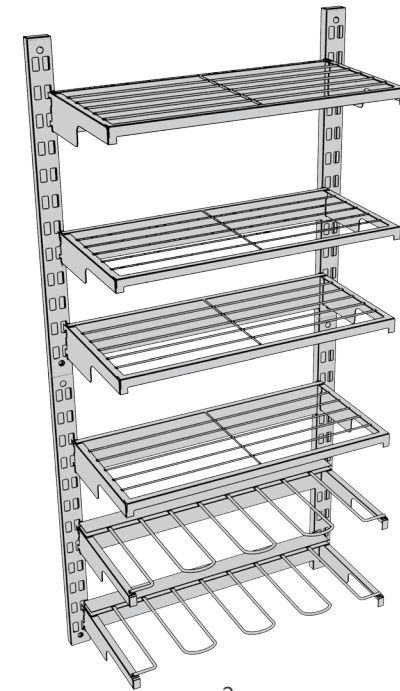
2 x1

INSTALLATION STEPS

X-axis assembly solution



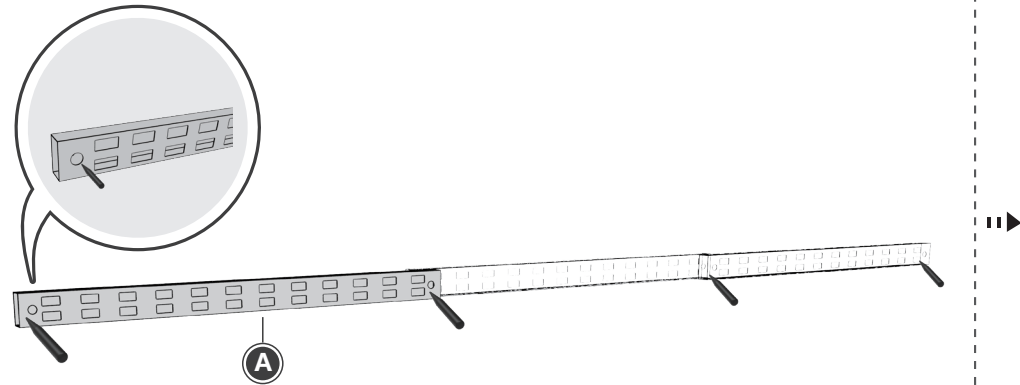
Y-axis assembly solution



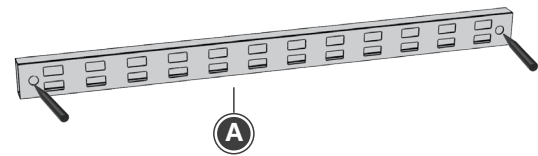
Read this manual carefully and completely, and retain for future reference.

STEP 1

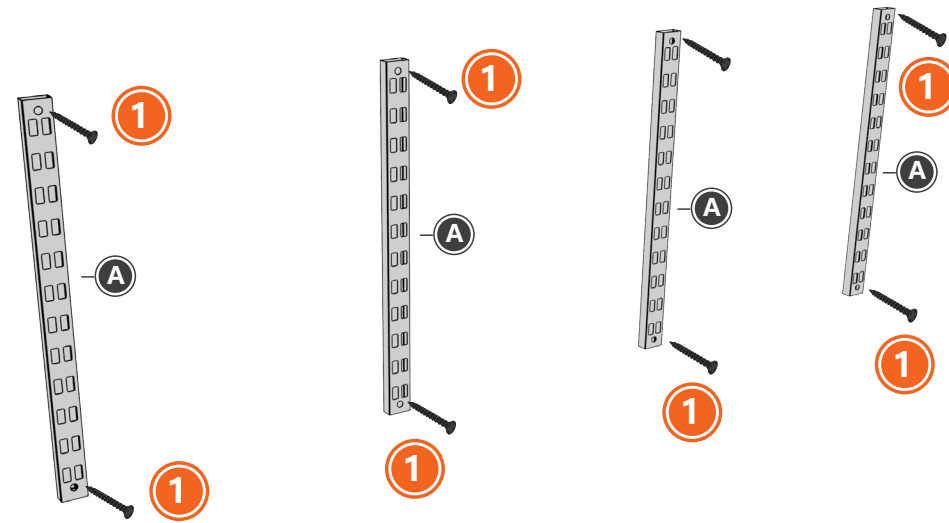
Use the pillar to mark the positions of the four upper screw holes on the wall.

**STEP 1**

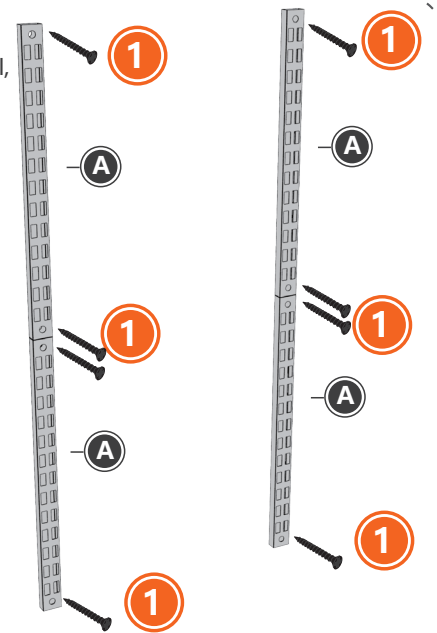
Use the pillar to mark the positions of the two upper screw holes on the wall.

**STEP 2**

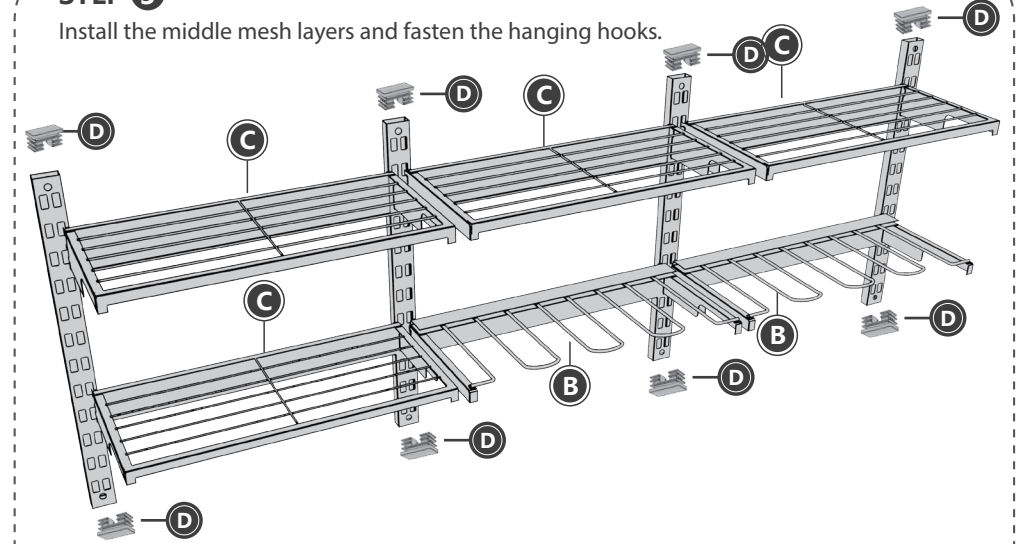
Fix the upper part of the pillars to ensure they are vertical, then mark and fix the holes on the lower part.

**STEP 2**

Align the first screw holes to keep the pillars vertical, then confirm and fix bottom ones.

**STEP 3**

Install the middle mesh layers and fasten the hanging hooks.

**STEP 3**

Position the shelves at your desired height.

