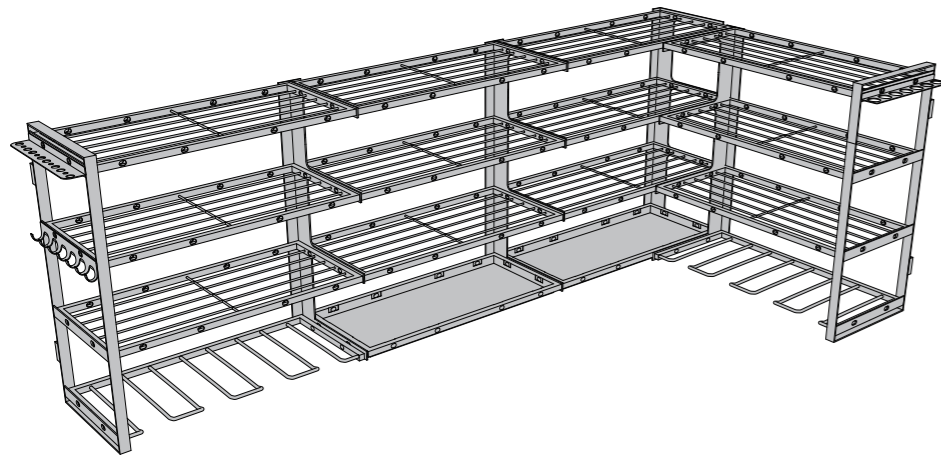


Power Tool Organizer

User Guide

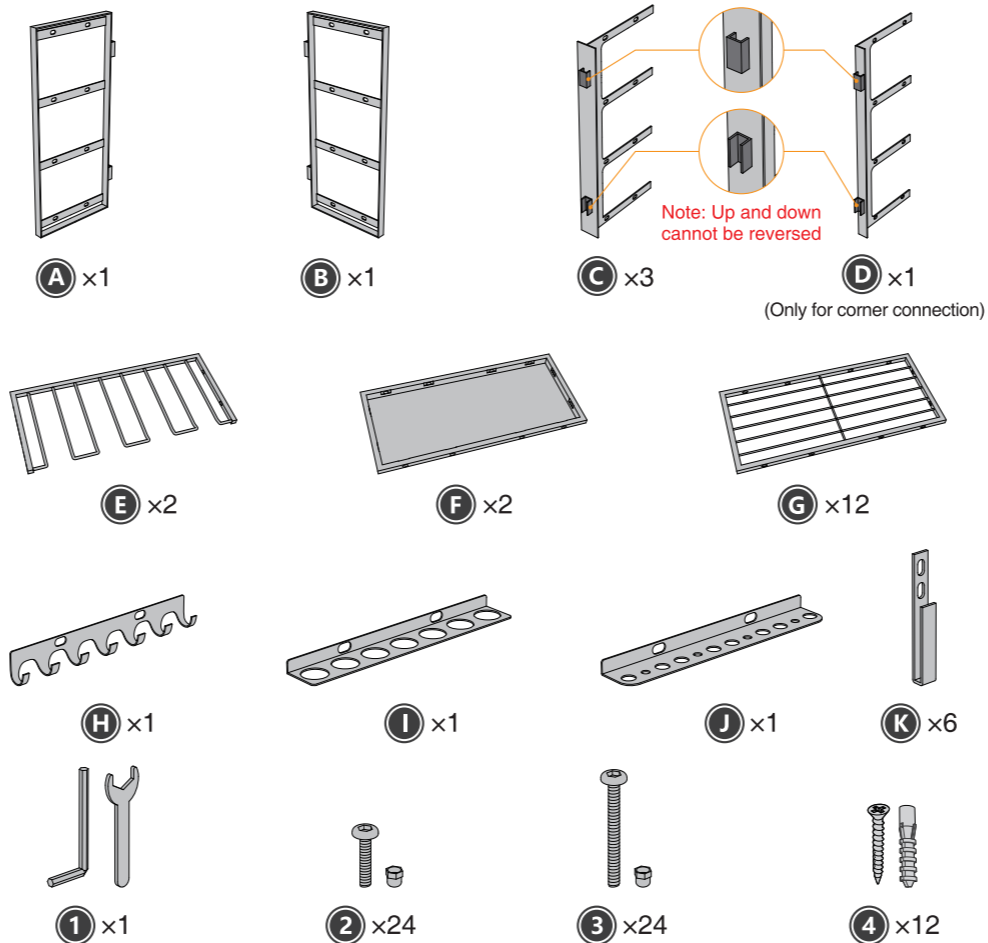


Read this manual carefully and completely, and retain for future reference.

WARNINGS & CAUTIONS

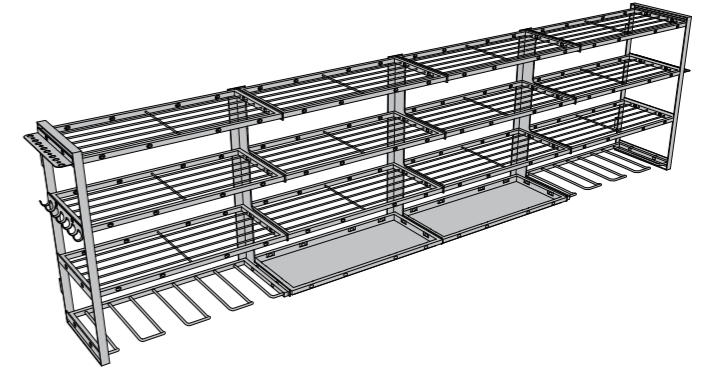
- Proper Assembly: Follow the assembly instructions carefully and check all connections and fasteners for tightness and security before use. Incorrect assembly can lead to instability and potential accidents.
- Mind Sharp Edges: Exercise caution as metal components may have sharp edges, posing a risk of cuts or injuries. Gloves are recommended when handling these parts.
- Load Capacity: Do not exceed the recommended load capacity of the power tool organizer. Overloading can lead to structural damage and potential accidents.
- Maintenance and Cleaning: Clean the organizer and tools regularly, especially after use in wet or dirty conditions. Dry tools thoroughly before storing them to prevent rust.

PARTS LIST

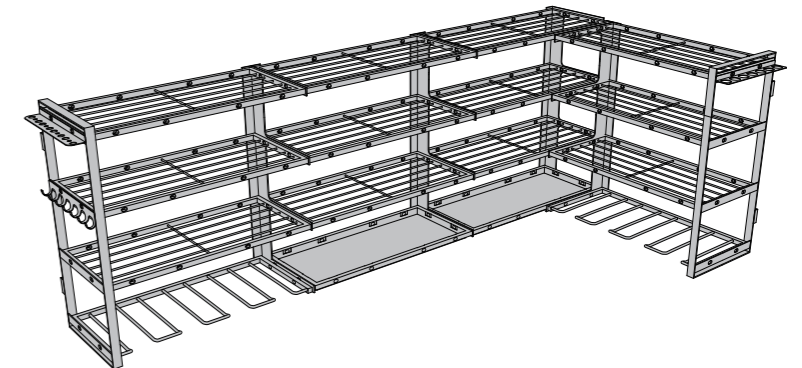


INSTALLATION STEPS

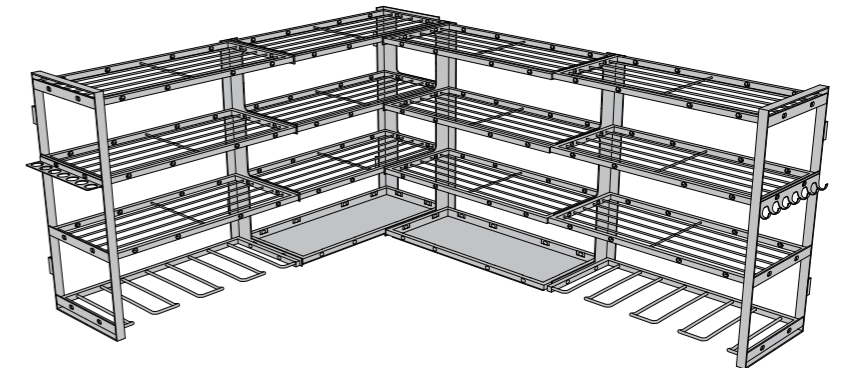
Straight Configuration without Corner



3+1 Configuration with Corner



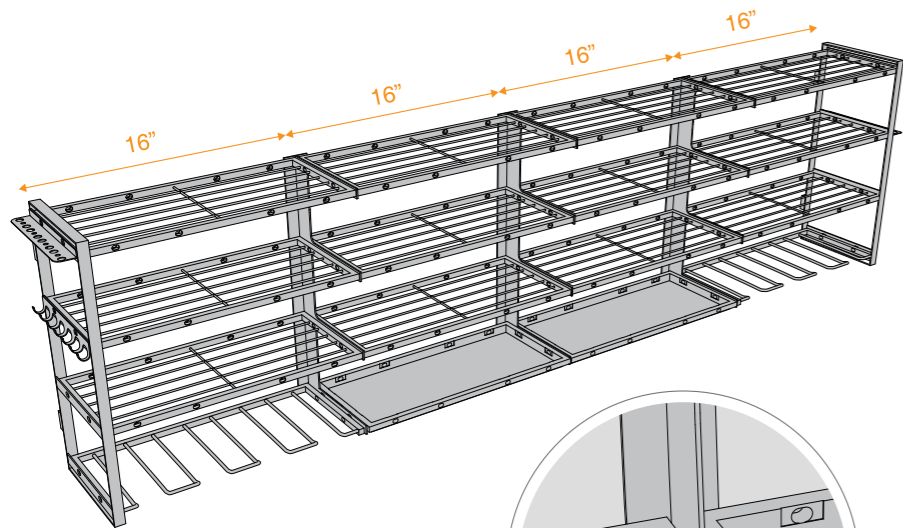
2+2 Configuration with Corner



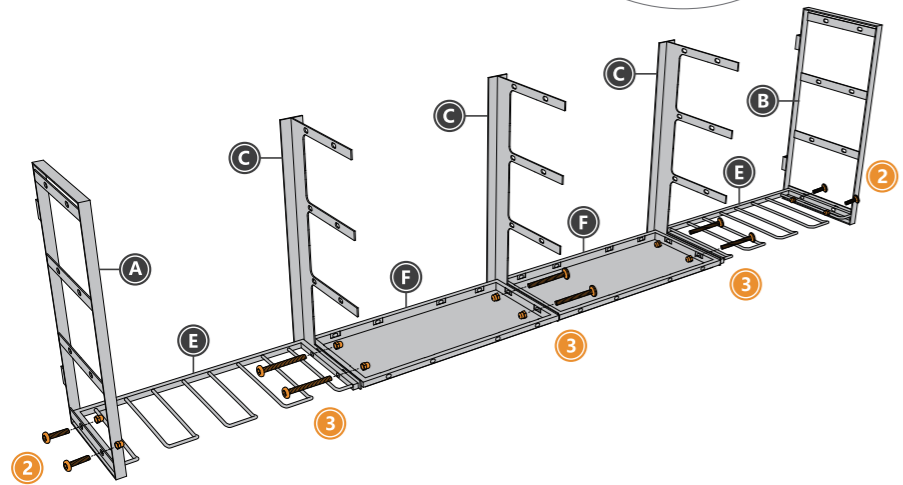
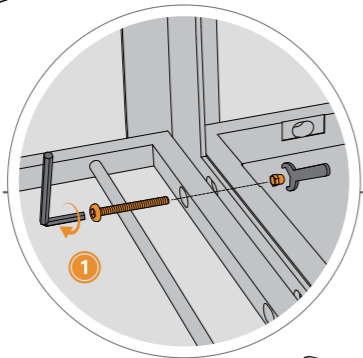
Method-1

Straight Configuration without Corner

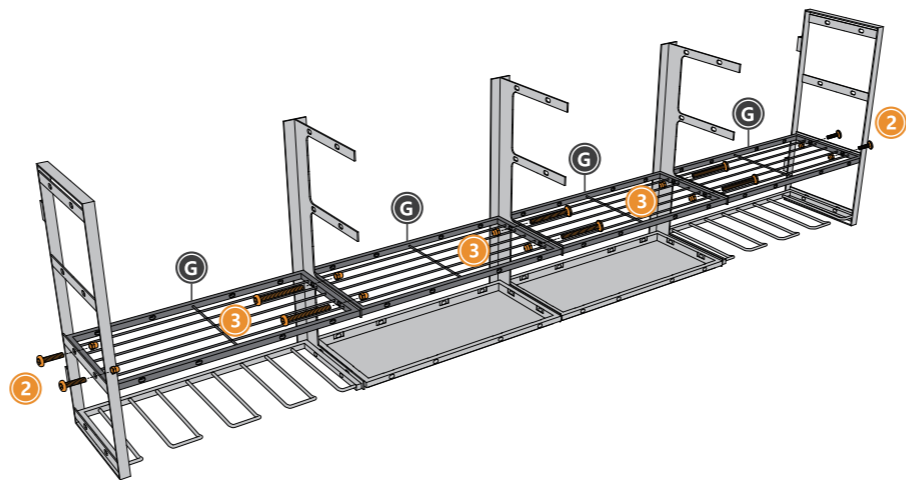
Each section measures 16". Please select an appropriate wall mounting spot.



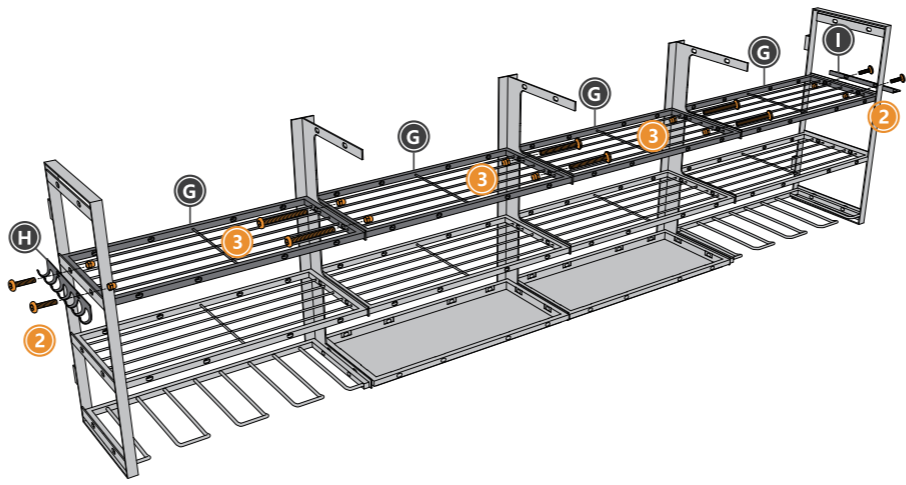
STEP 1



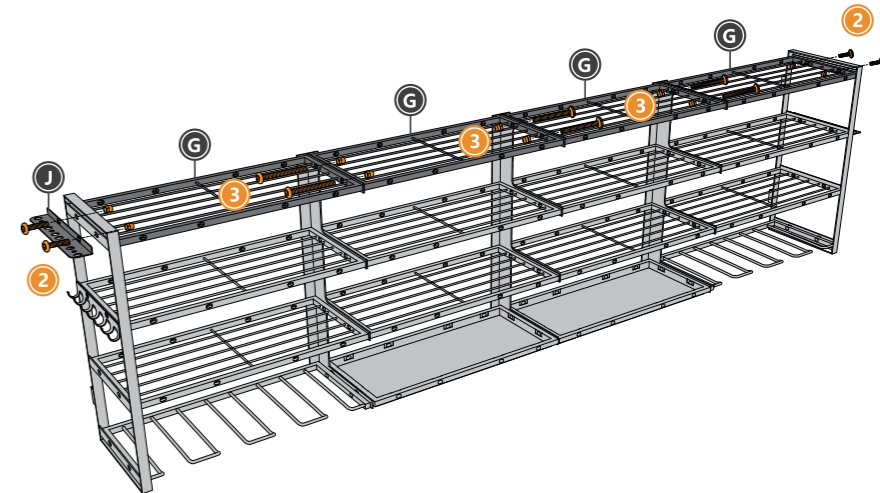
STEP 2



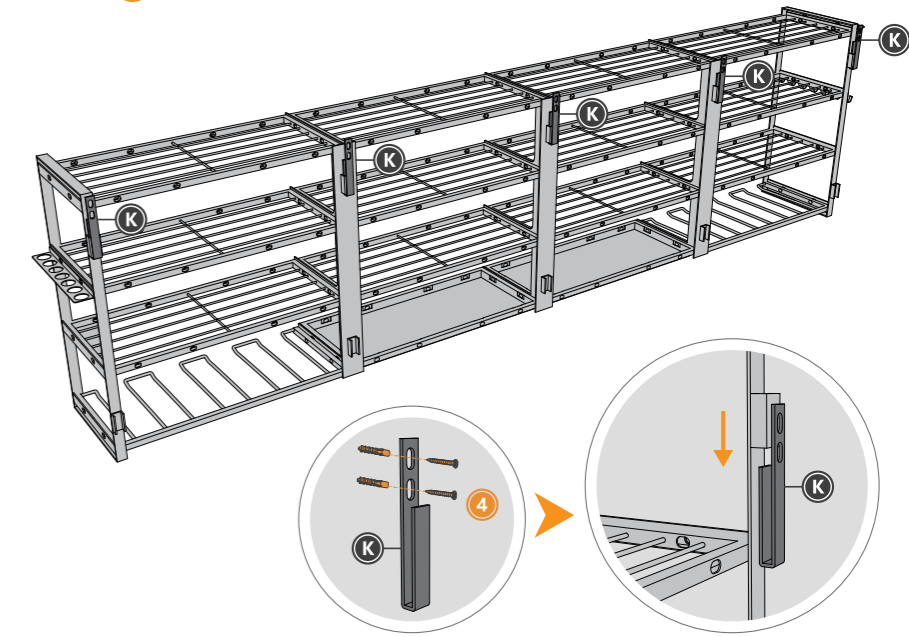
STEP 3



STEP 4



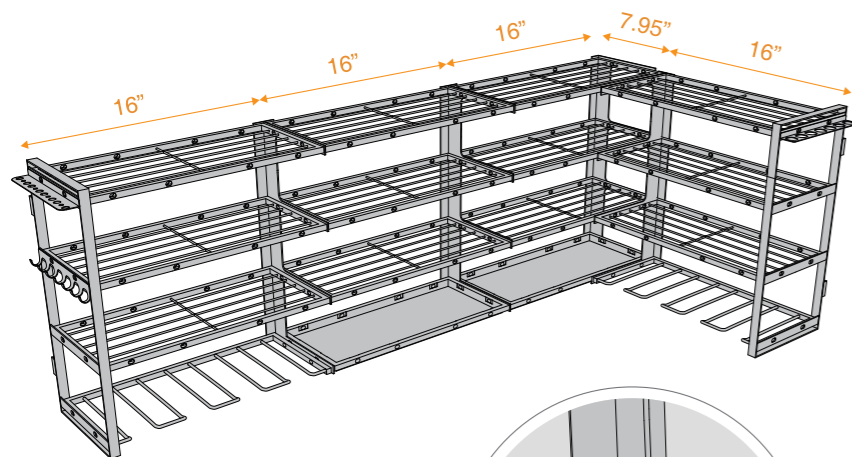
STEP 5



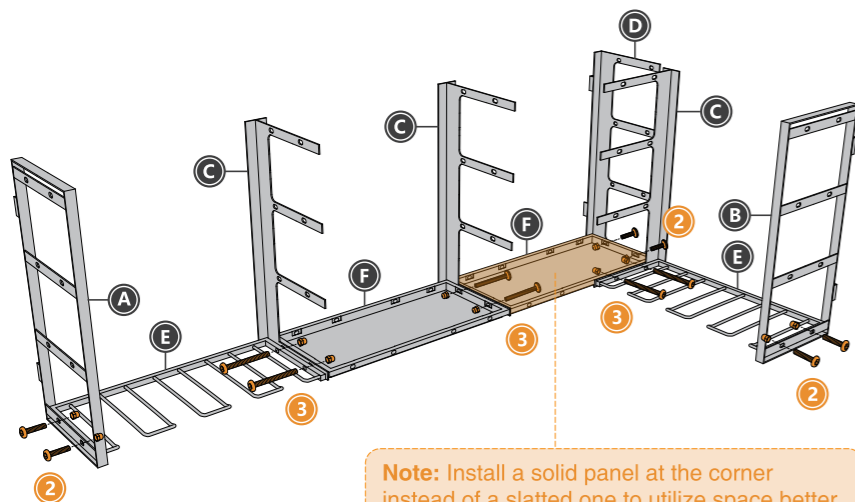
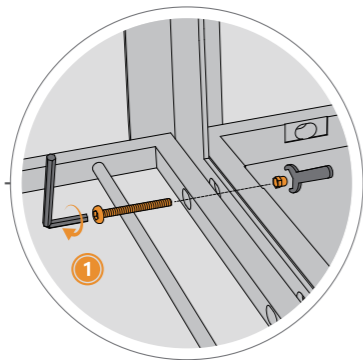
Method-2

3+1 Configuration with Corner

Please notice the extra 7.95", and select an appropriate wall mounting spot.

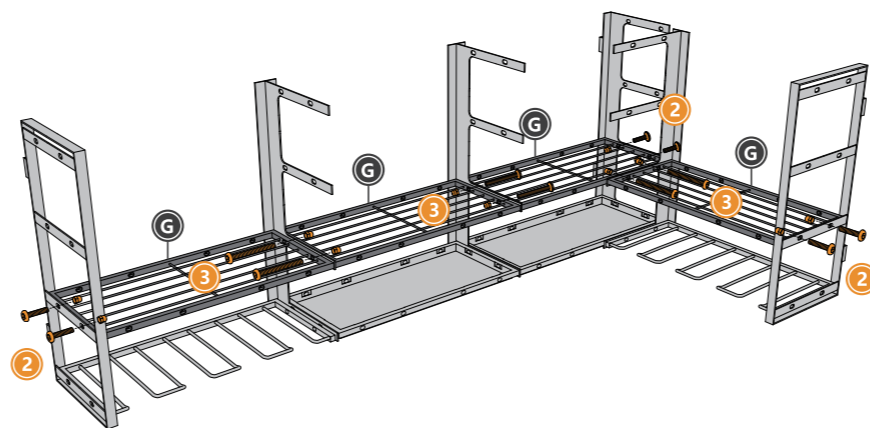


STEP 1

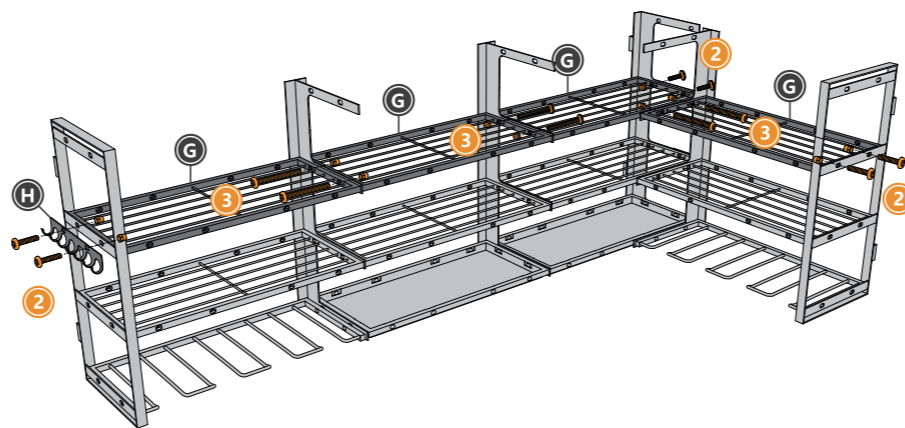


Note: Install a solid panel at the corner instead of a slatted one to utilize space better.

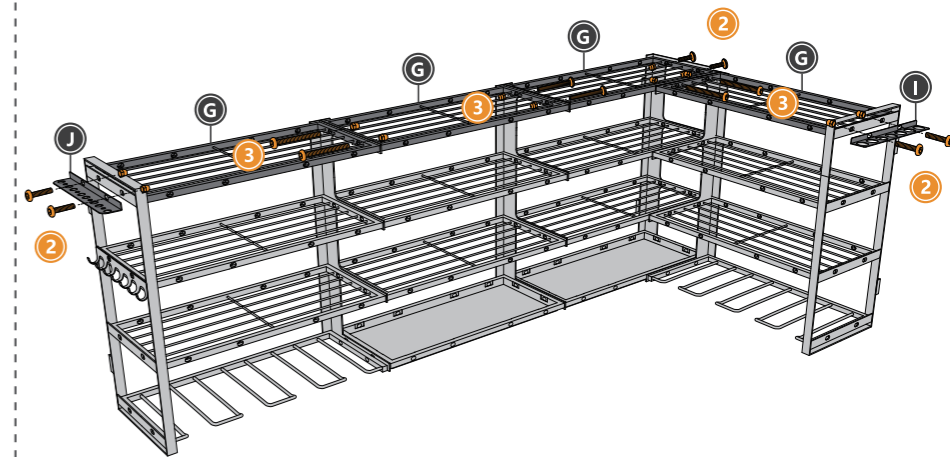
STEP 2



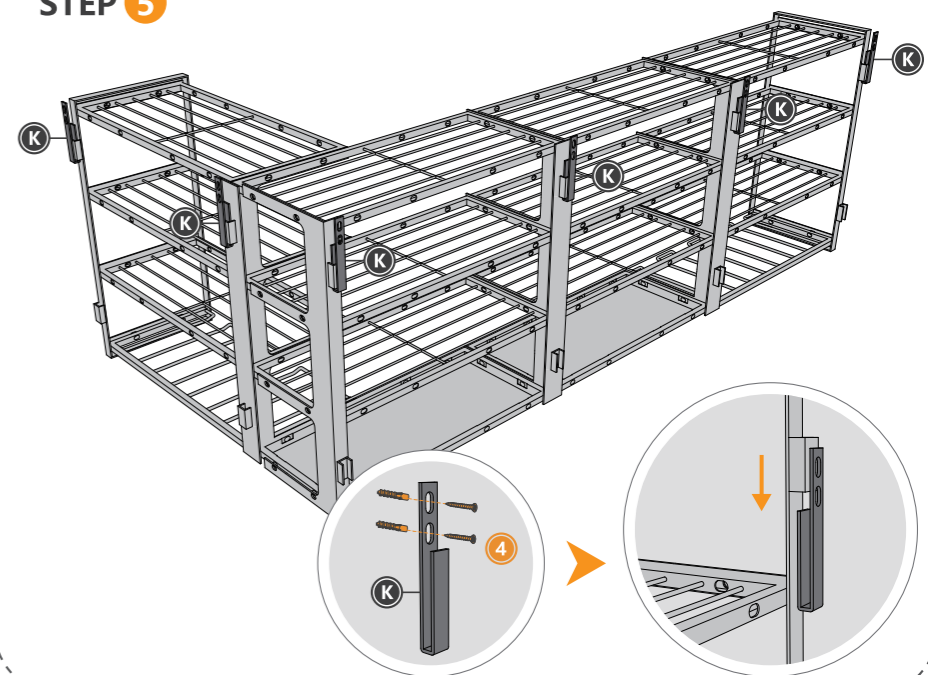
STEP 3



STEP 4



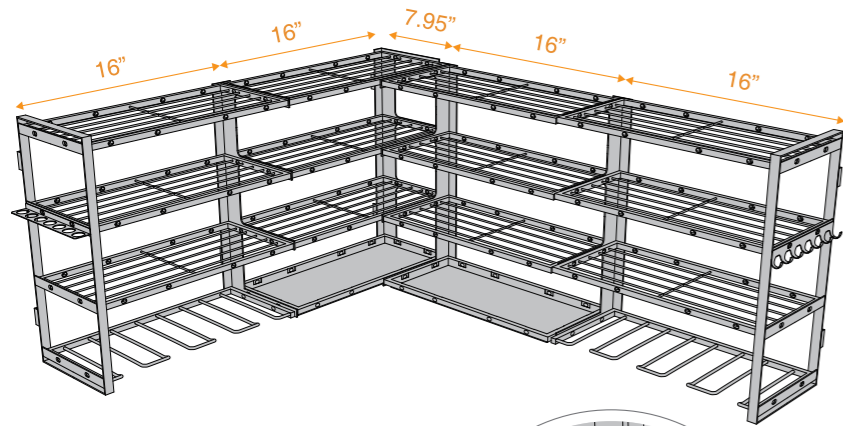
STEP 5



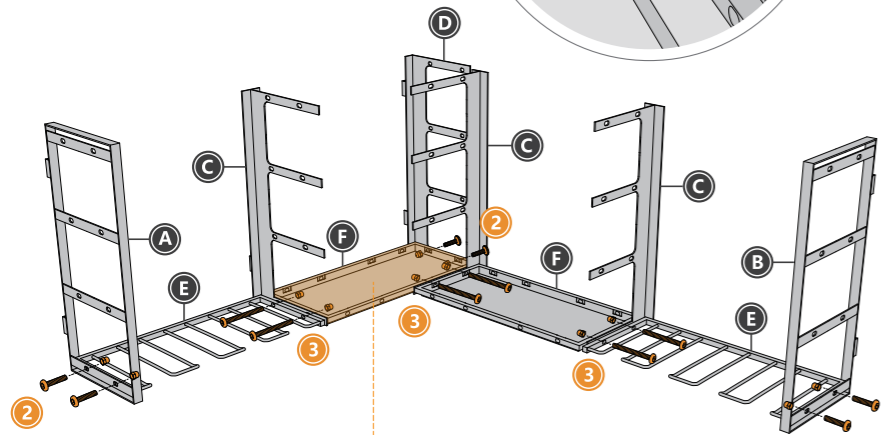
Method-3

2+2 Configuration with Corner

Please notice the extra 7.95", and select an appropriate wall mounting spot.

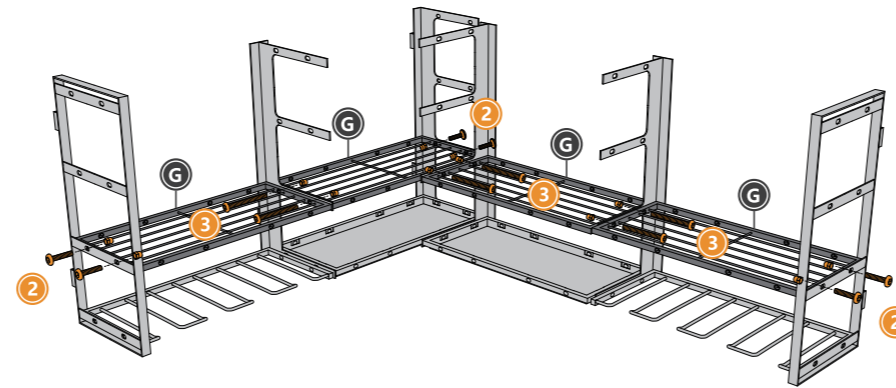


STEP 1

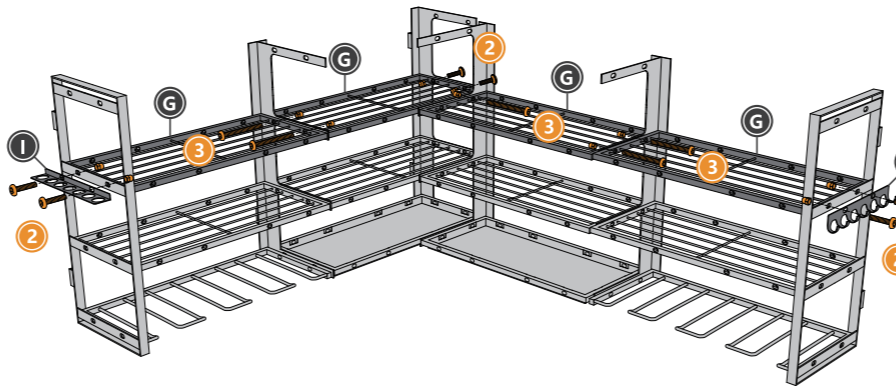


Note: Install a solid panel at the corner instead of a slatted one to utilize space better.

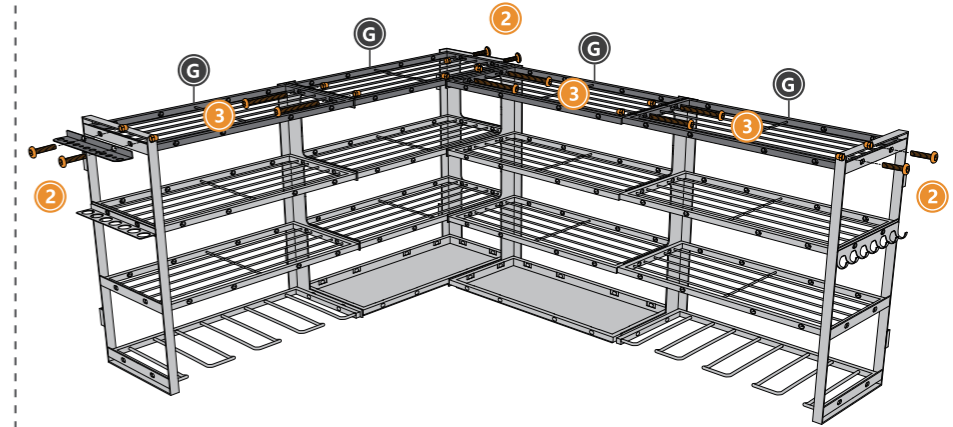
STEP 2



STEP 3



STEP 4



STEP 5

