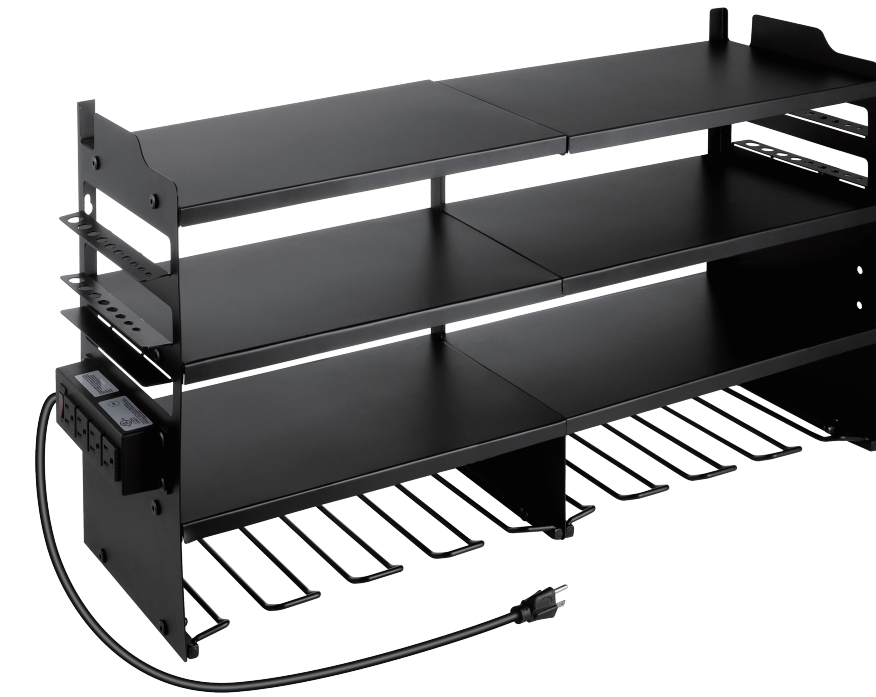


成品尺寸:140X210mm

POKIPO

POWER TOOL ORGANIZER WALL MOUNT WITH CHARGING STATION

User Manual

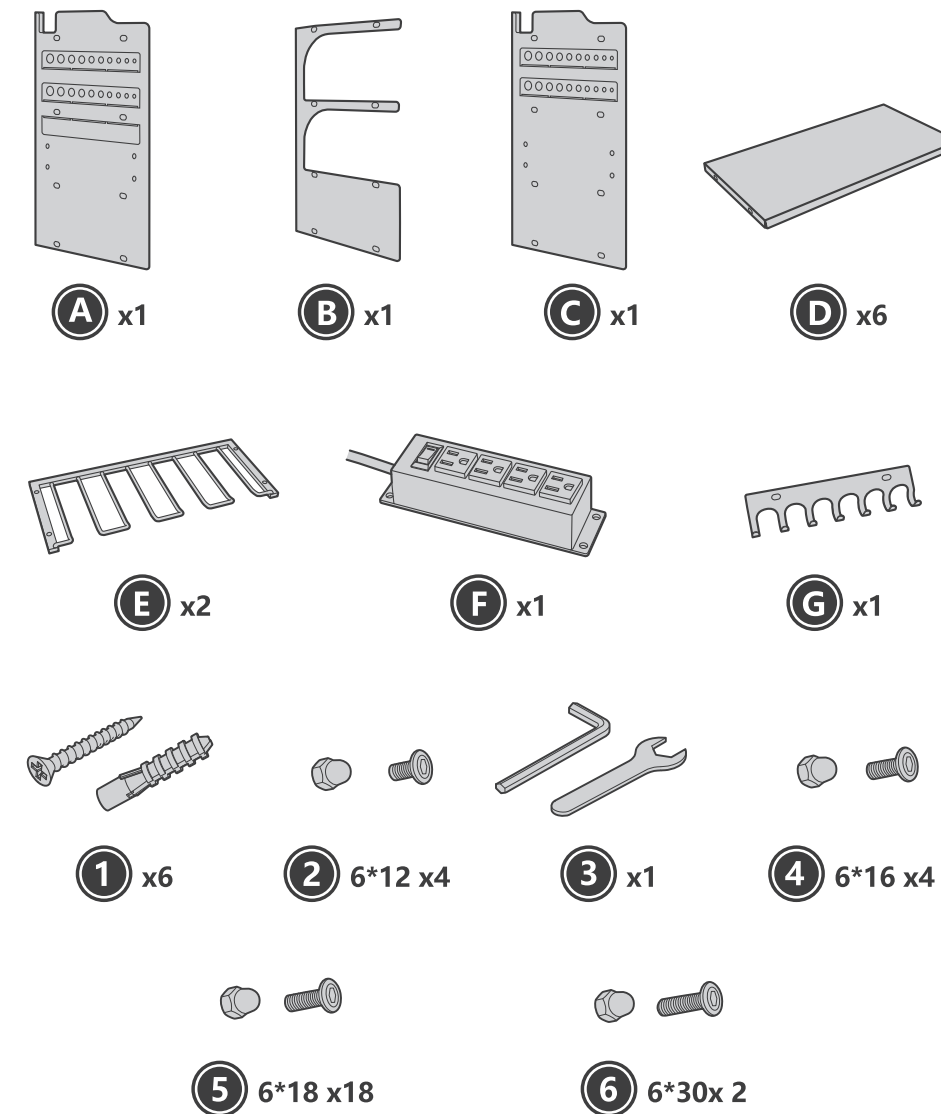


Read this manual carefully and completely, and retain for future reference.

WARNINGS & CAUTIONS

- Before installation, check all parts according to the parts list and verify whether the parts are complete. Contact us if you have any questions.
- Assemble the product in the correct order as instructed in this manual.

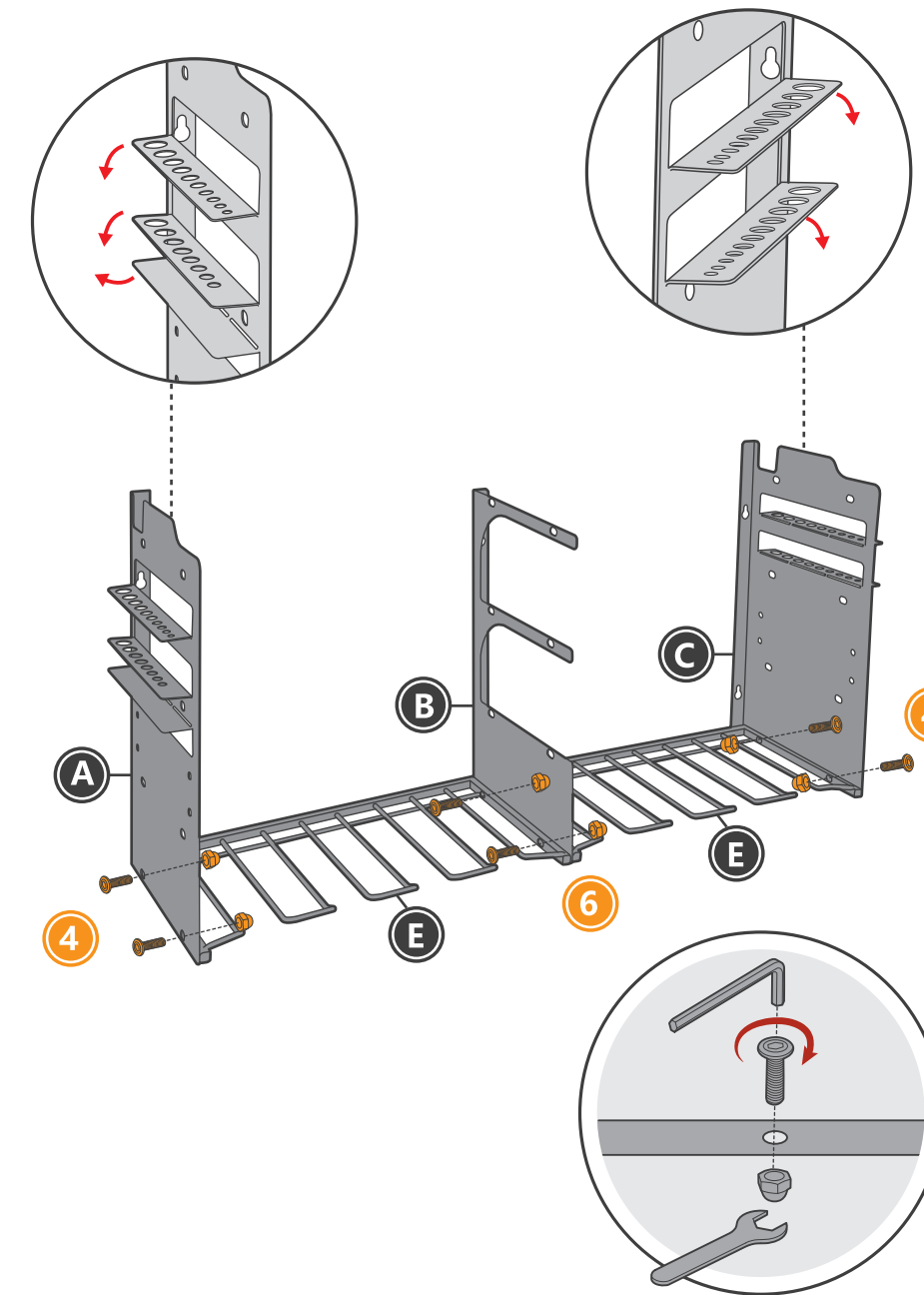
PARTS LIST



1

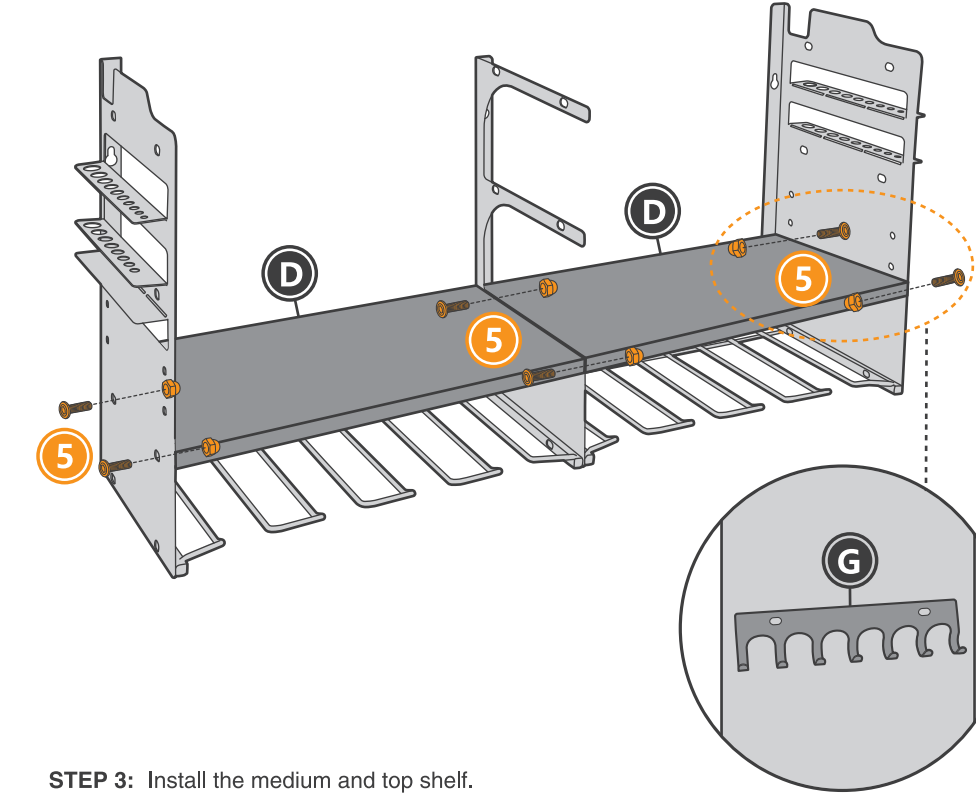
INSTALLATION STEPS

STEP 1: Connect the drill holders and the frames, and bend down the screwdriver holders on both sides with your hands for usage.

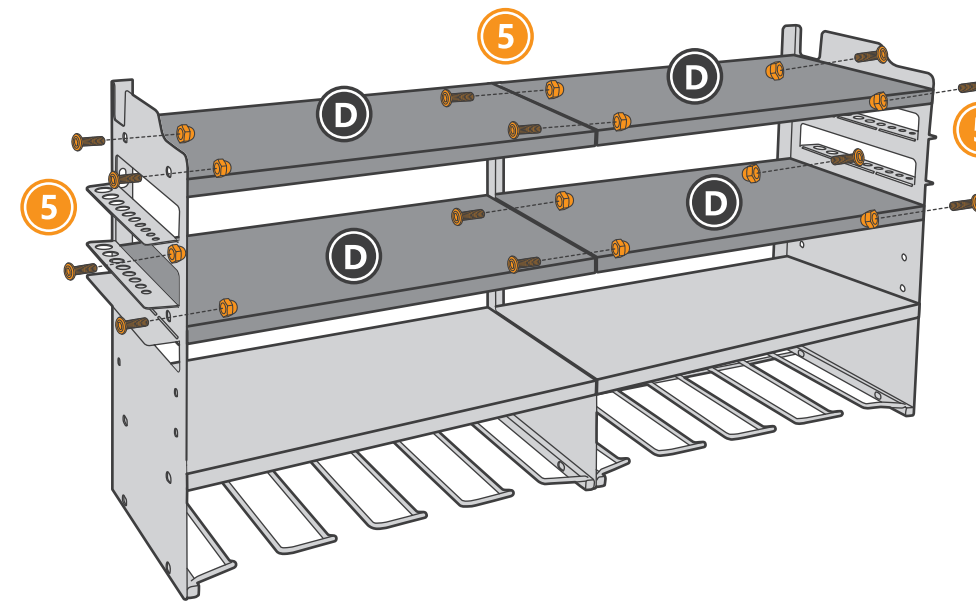


2

STEP 2: Place the bottom shelf and secure the hanging hook.

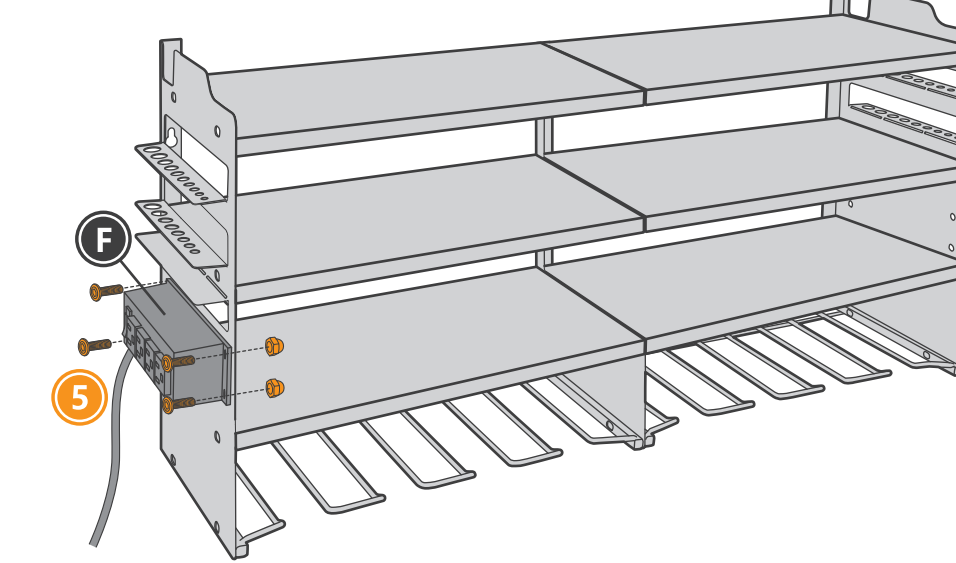


STEP 3: Install the medium and top shelf.

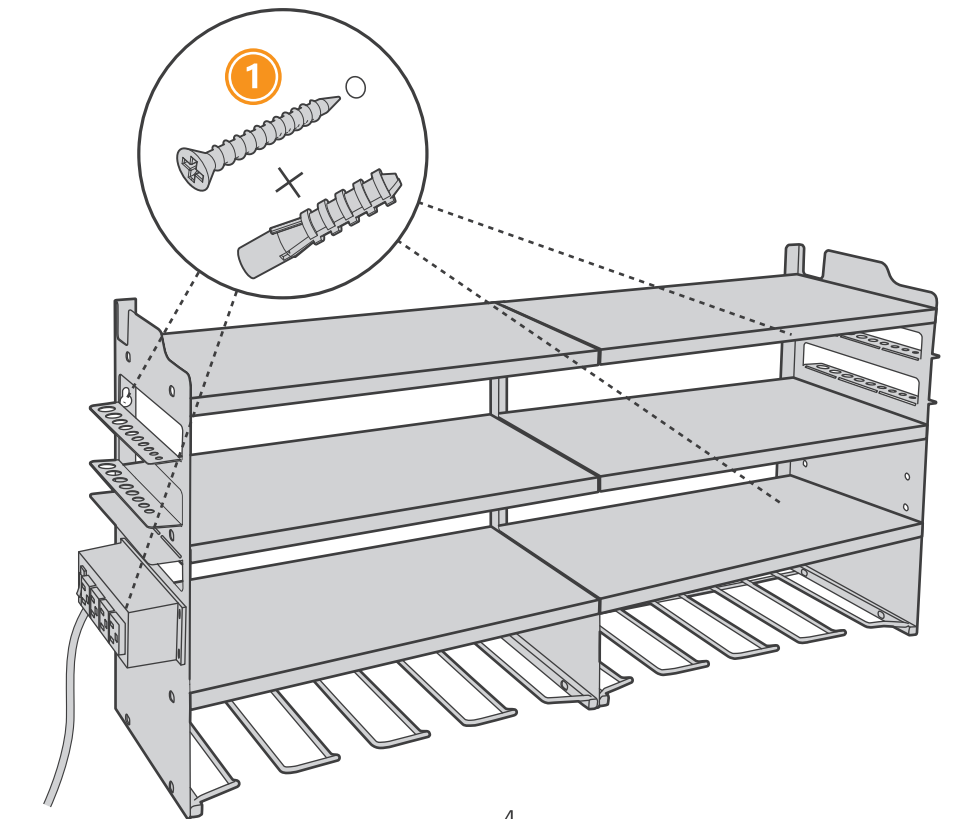


3

STEP 4: Secure the 4-outlet power strip.



STEP 5: Use expansion nails to mount the power tool organizer.



4

WARRANTY AND SERVICE

Our commitment to you doesn't end with the purchase. If you encounter any issues or have questions about our products, feel free to contact our dedicated customer service team. We are here to help and will go the extra mile to ensure your satisfaction. Your happiness is our priority, and we'll work tirelessly to resolve any problems you may encounter. Don't hesitate to reach out; we are always ready to assist you.

5