

Kayak rack

User Manual

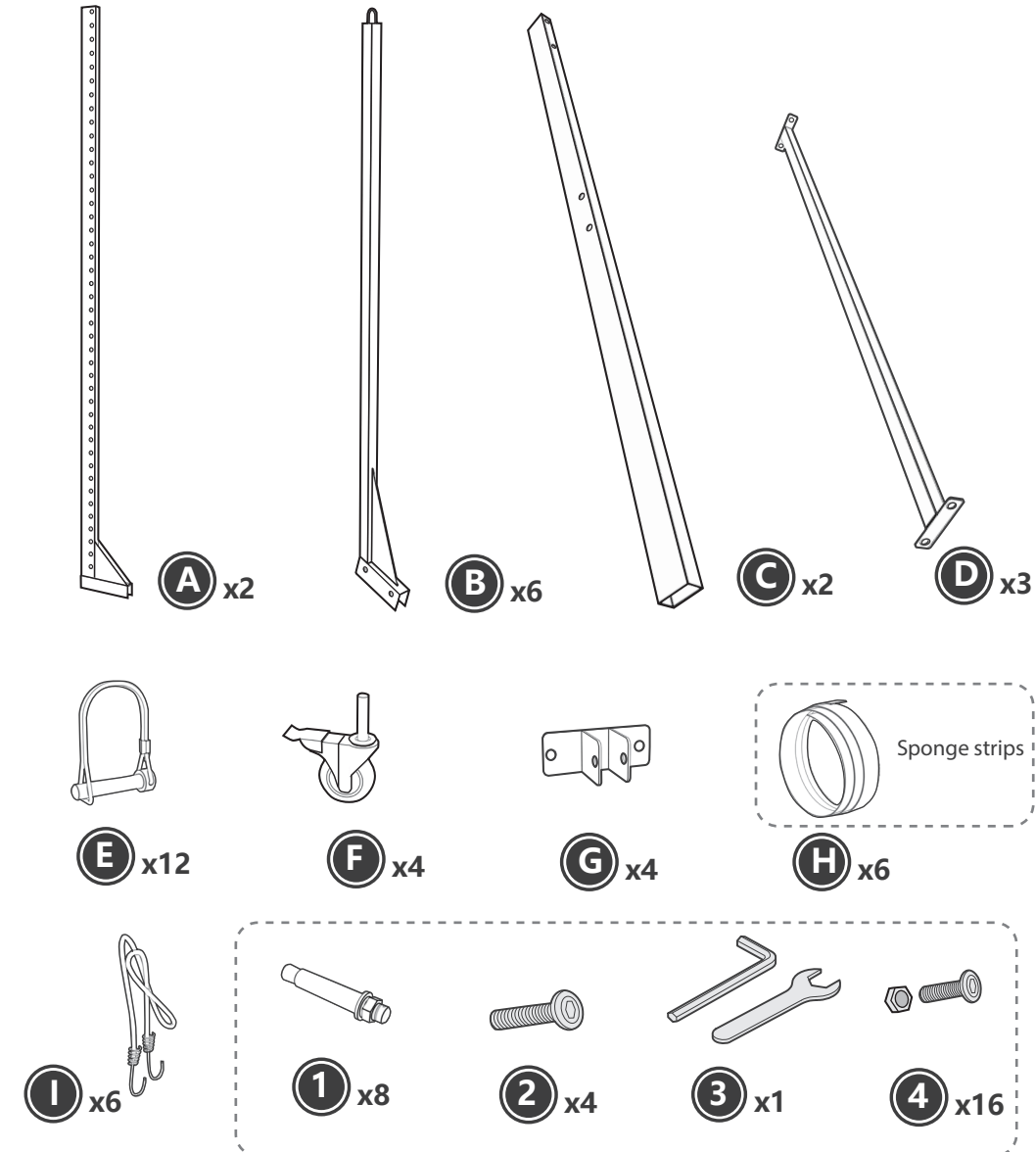


Read this manual carefully and completely, and retain for future reference.

WARNINGS & CAUTIONS

- Before installation, check all parts according to the parts list and verify whether the parts are complete. Contact us if you have any questions.
- Assemble the product in the correct order as instructed in this manual.

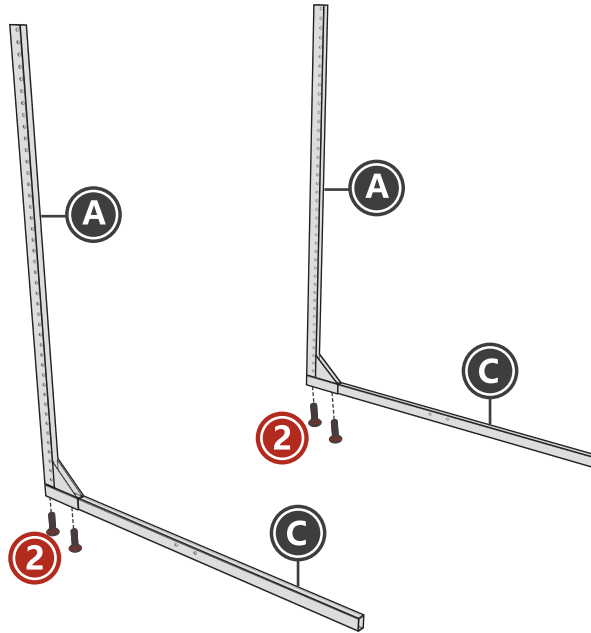
PARTS LIST



INSTALLATION MODE - 1

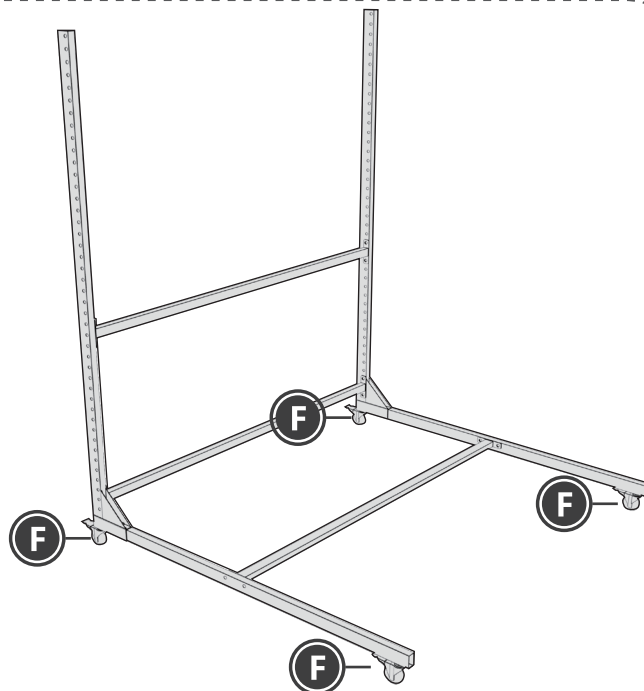
STEP 1

Use screws ② to fix parts A and C together.



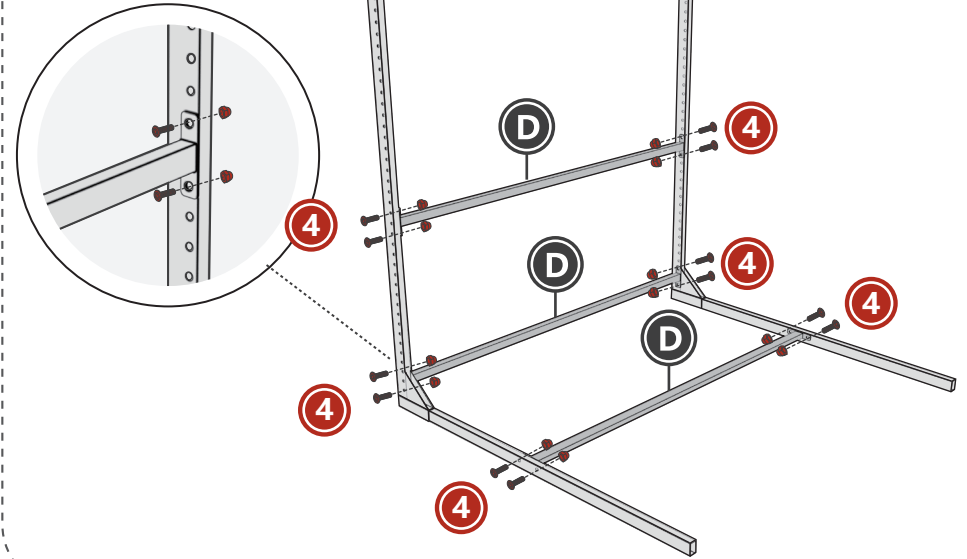
STEP 3

Install the F component pulley



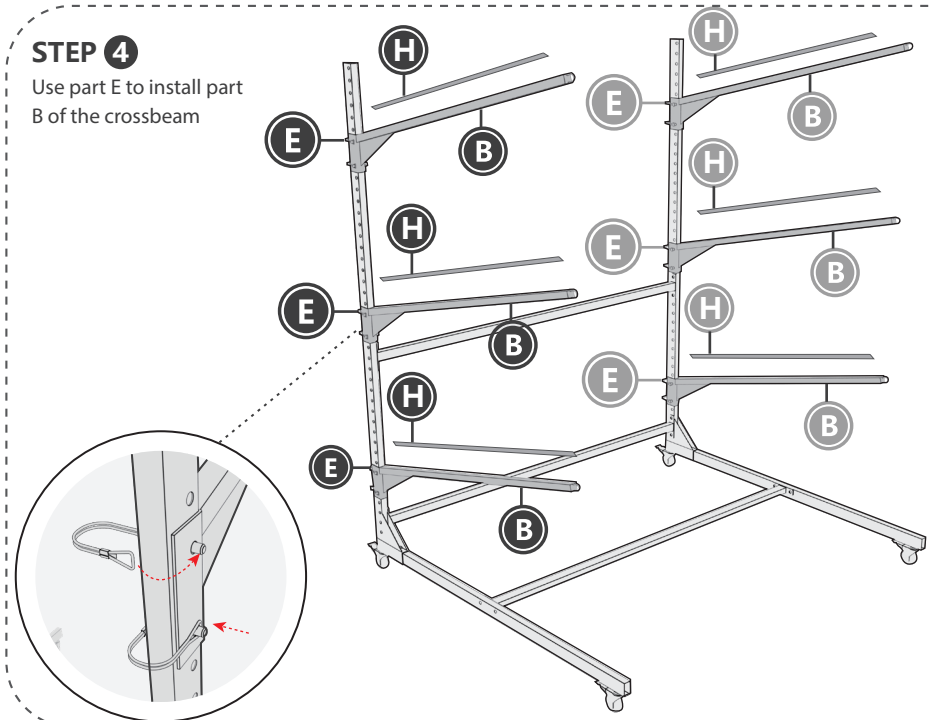
STEP 2

Install component D and secure it with screw No. ④.



STEP 4

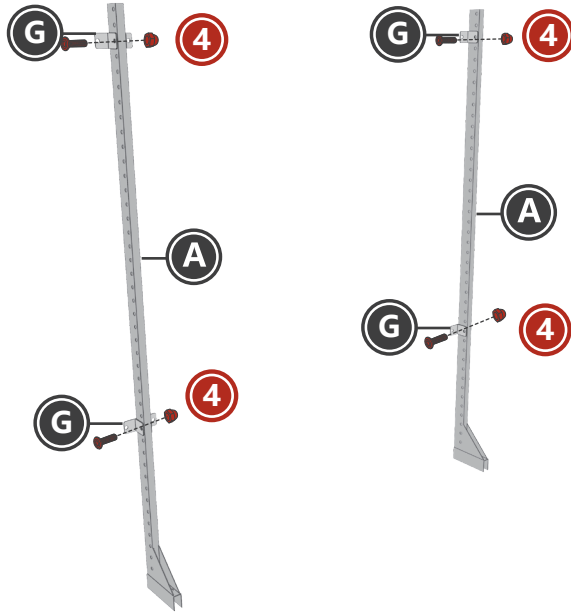
Use part E to install part B of the crossbeam



INSTALLATION MODE - 2

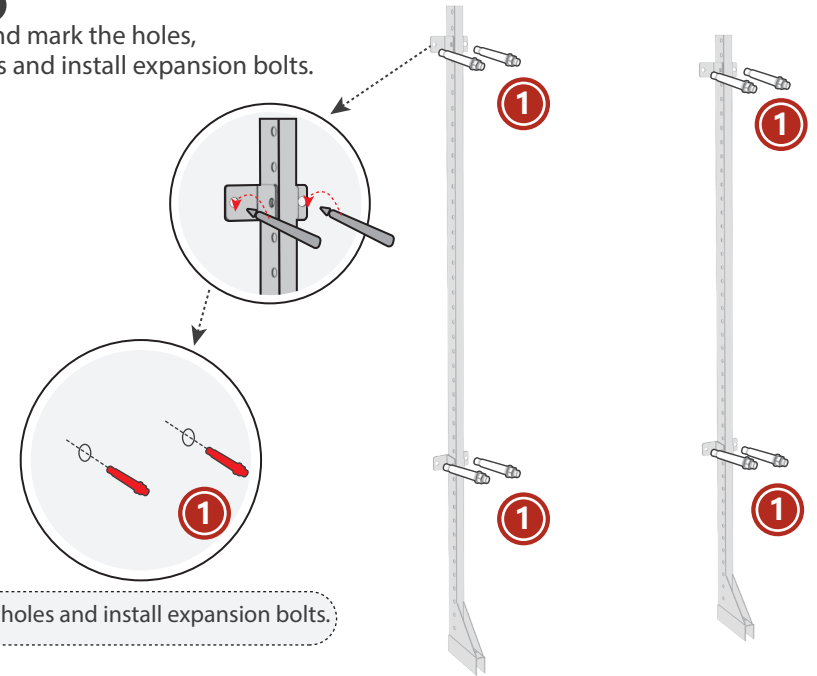
STEP 1

Install the wall mount securely on the post.



STEP 2

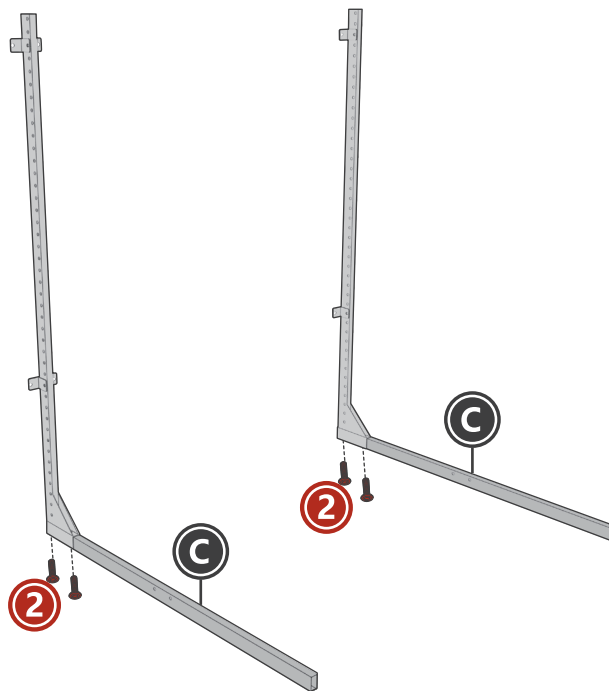
Locate and mark the holes, drill holes and install expansion bolts.



Drill holes and install expansion bolts.

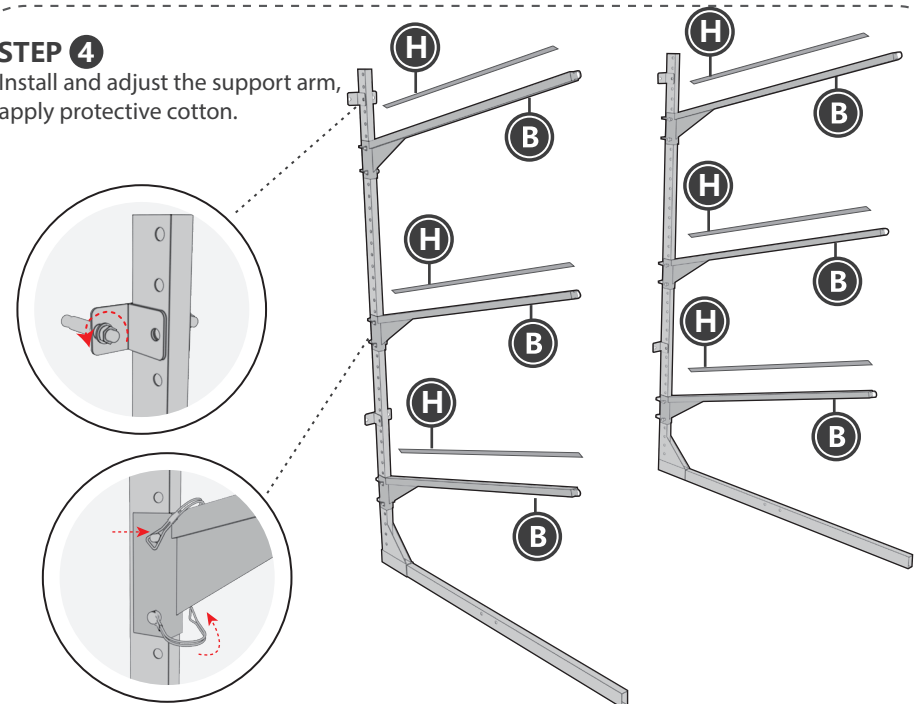
STEP 3

Install the footing at the bottom of the column.



STEP 4

Install and adjust the support arm, apply protective cotton.



WARRANTY AND SERVICE

Our commitment to you doesn't end with the purchase. If you encounter any issues or have questions about our products, feel free to contact our dedicated customer service team. We are here to help and will go the extra mile to ensure your satisfaction. Your happiness is our priority, and we'll work tirelessly to resolve any problems you may encounter. Don't hesitate to reach out; we are always ready to assist you.