

Computer Tower Stand

User Manual

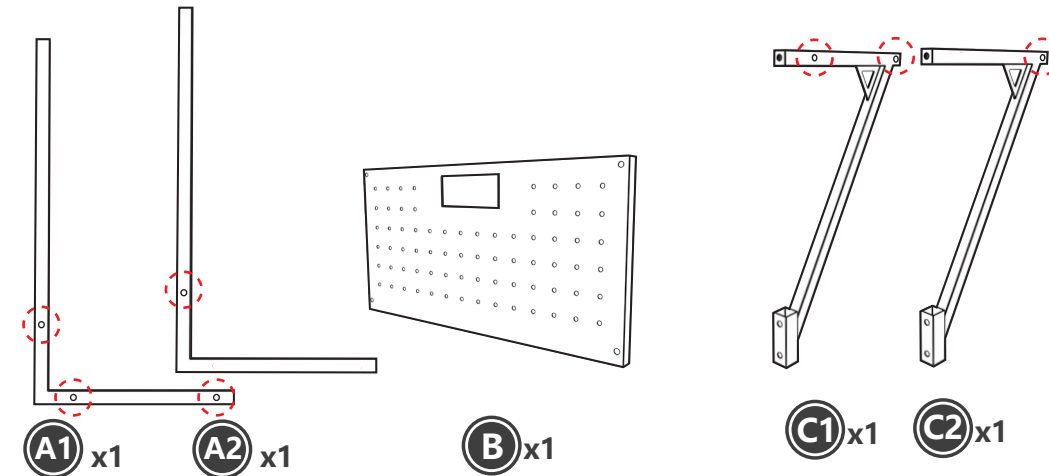


Read this manual carefully and completely, and retain for future reference.

WARNINGS & CAUTIONS

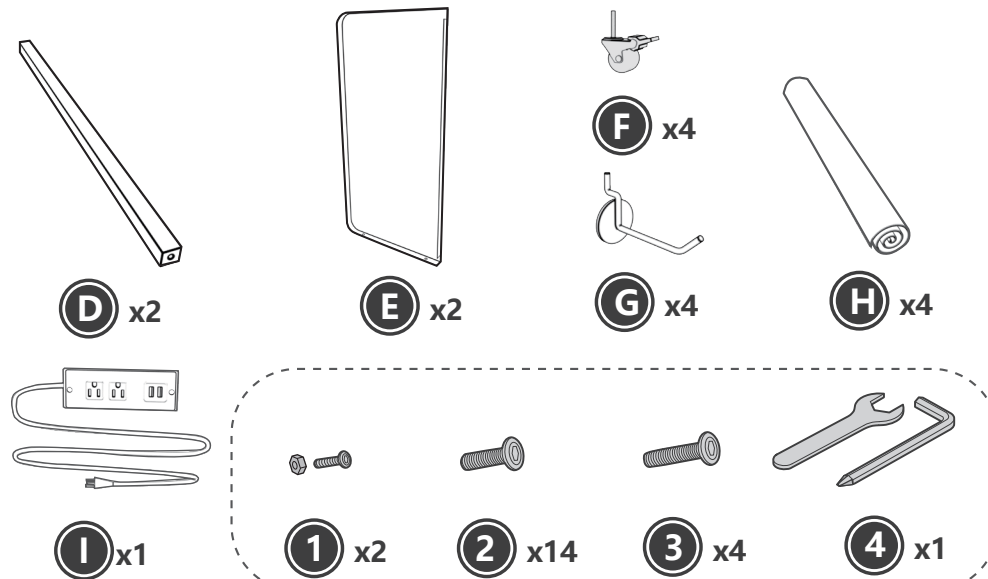
- Before installation, check all parts according to the parts list and verify whether the parts are complete. Contact us if you have any questions.
- Assemble the product in the correct order as instructed in this manual.

PARTS LIST



Tip 1: Arrange parts in an "L" shape. A1 has 3 holes and A2 has 1 hole.

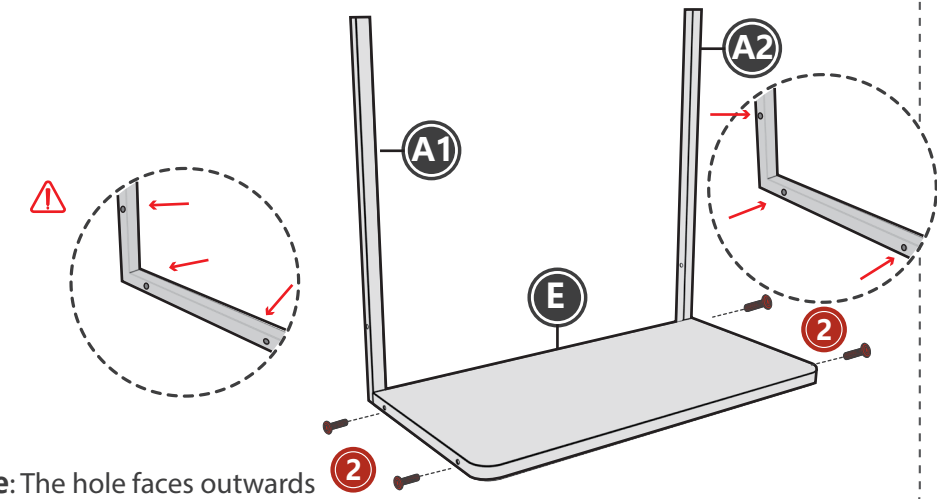
Tip 2: Arrange parts in a "7" shape. C1 has 2 holes and C2 has 1 hole.



INSTALLATION STEPS

STEP 1

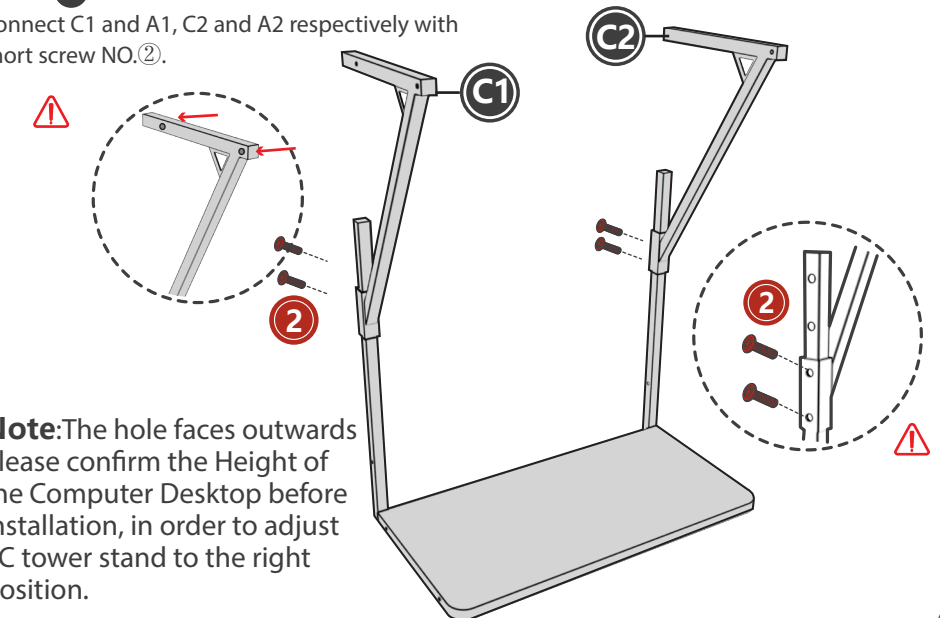
Connect A1 and E, A2 and E respectively with short screw NO.②.



Note: The hole faces outwards

STEP 2

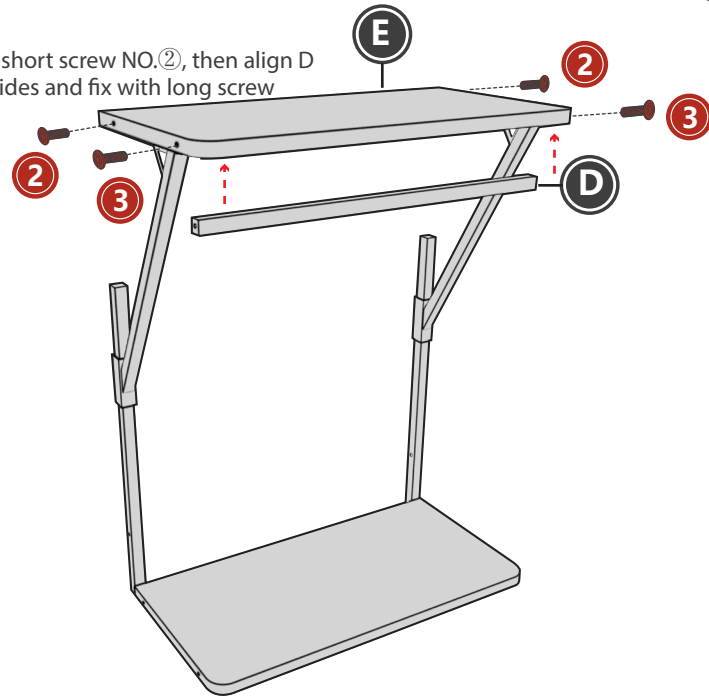
Connect C1 and A1, C2 and A2 respectively with short screw NO.②.



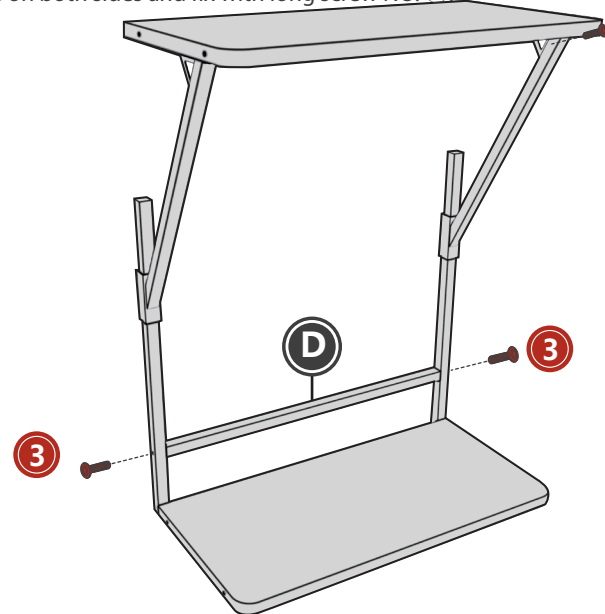
Note: The hole faces outwards
Please confirm the Height of the Computer Desktop before installation, in order to adjust PC tower stand to the right position.

STEP 3

First, connect E with short screw NO.②, then align D with holes on both sides and fix with long screw NO.③.

**STEP 4**

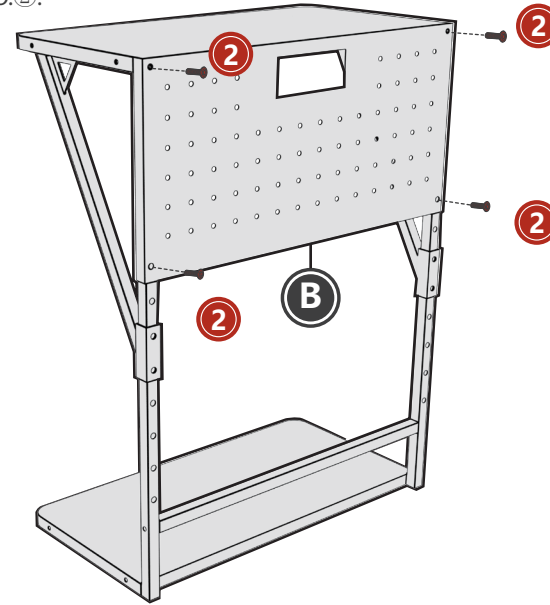
Align D with holes on both sides and fix with long screw NO.③.



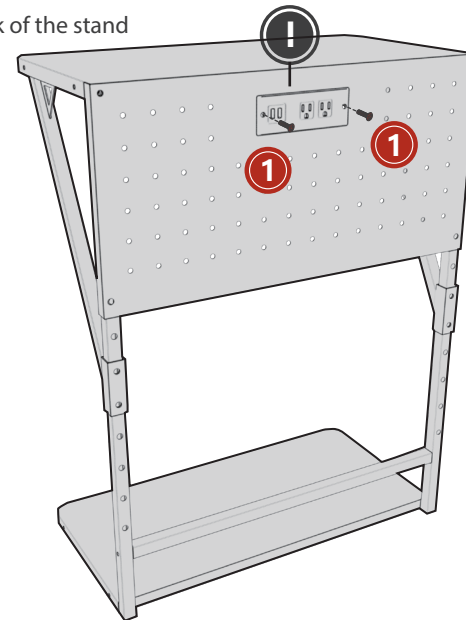
3

STEP 5

Connect B with short screw NO.②.

**STEP 6**

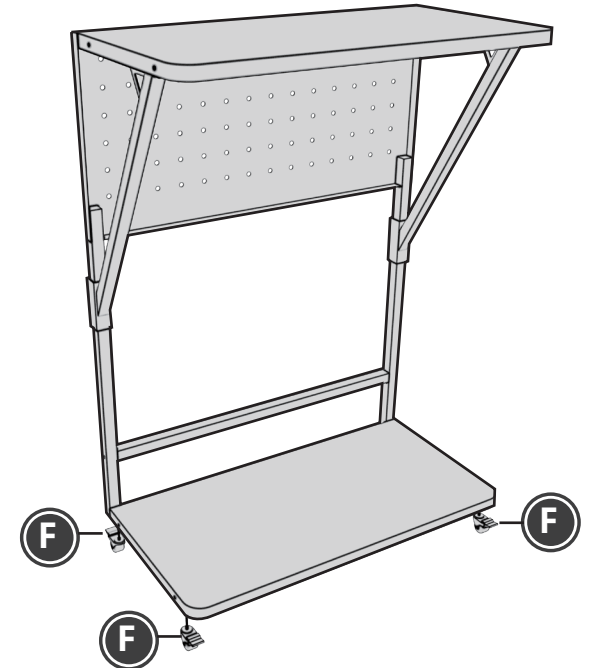
Install the power strip on the back of the stand with screw NO.①.



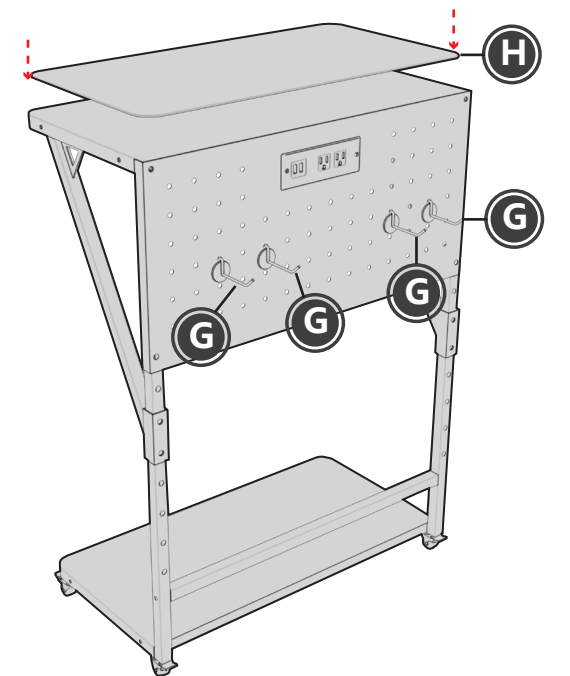
4

STEP 7

Tighten F at the bottom.

**STEP 8**

Install G and lay down H.



5