

## Changing Table Dresser

User Manual

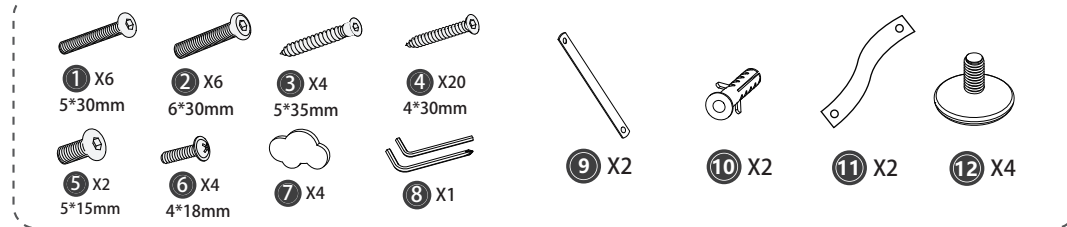
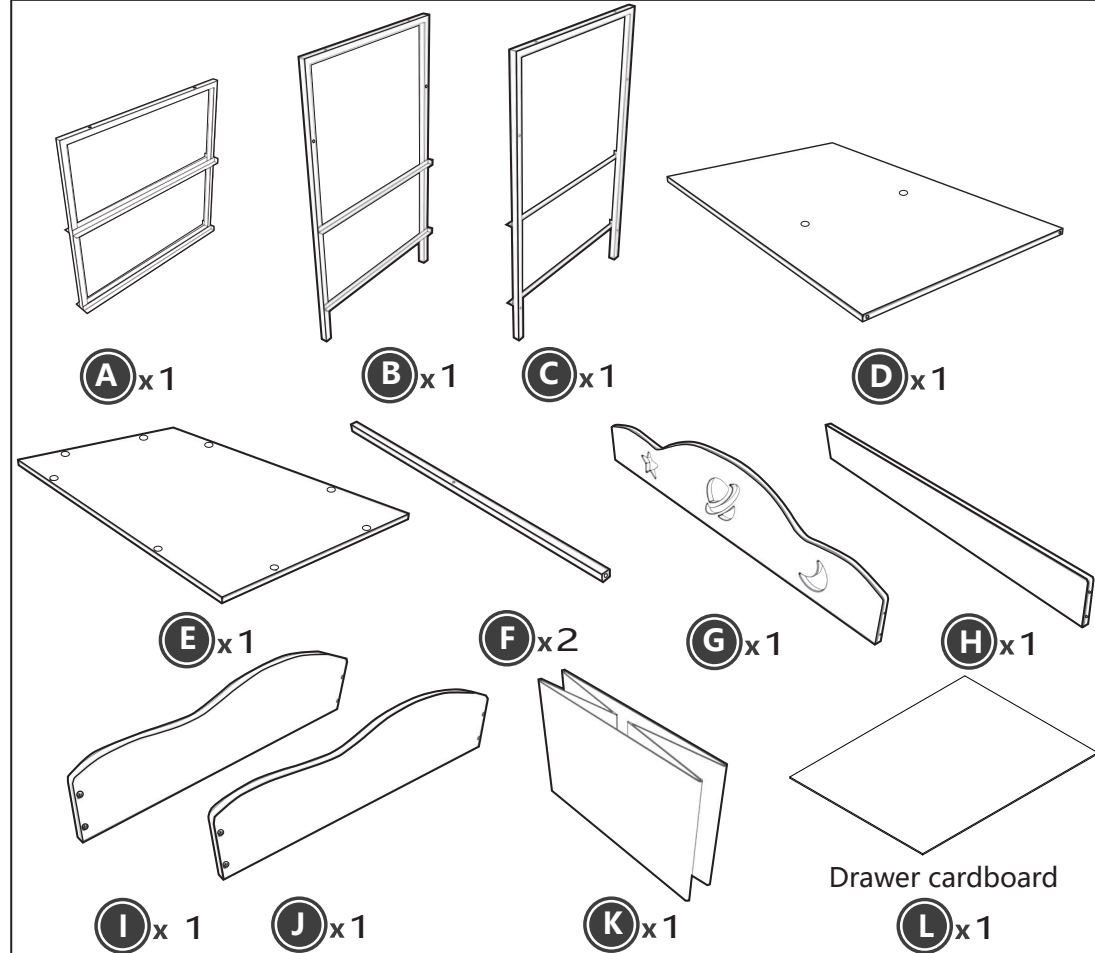


Read this manual carefully and completely, and retain for future reference.

### WARNINGS & CAUTIONS

- Before installation, check all parts according to the parts list and verify whether the parts are complete. Contact us if you have any questions.
- Assemble the product in the correct order as instructed in this manual.

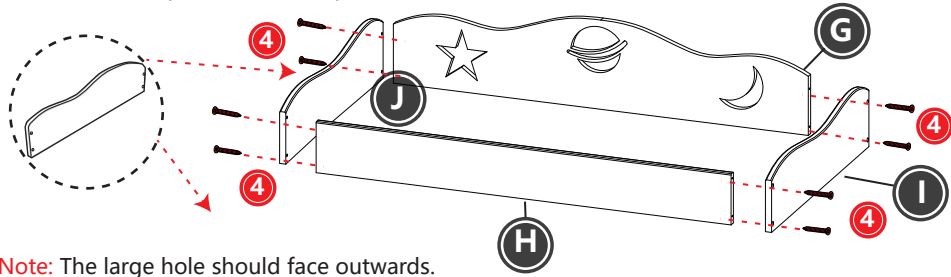
### PARTS LIST



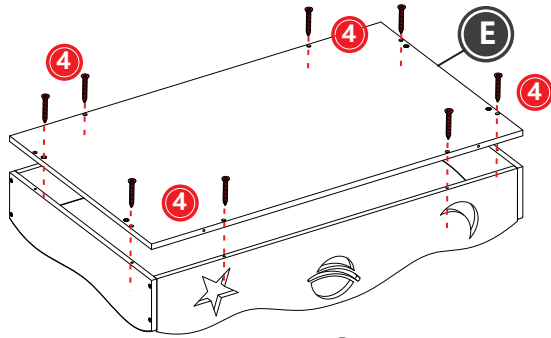
# INSTALLATION STEPS

## STEP 1

Assemble the top shelf and side panels



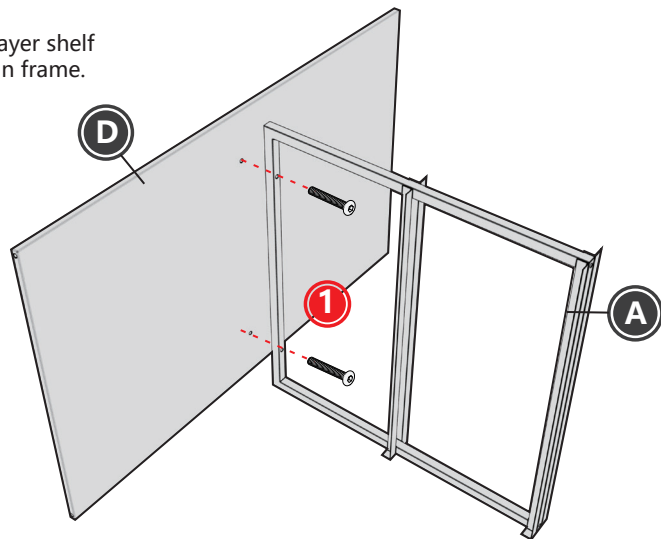
## STEP 2



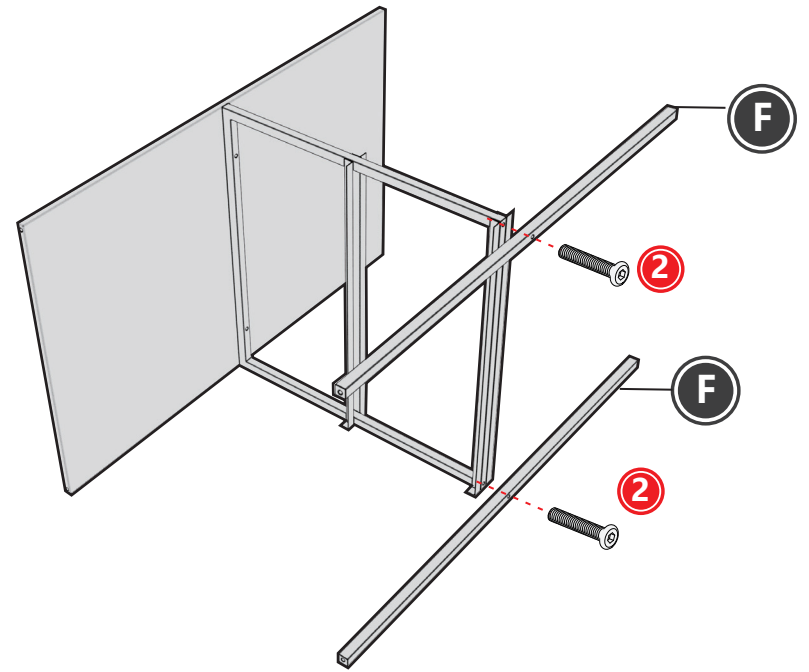
Assembling parts G, H, I, J and E results in component (K).

## STEP 3

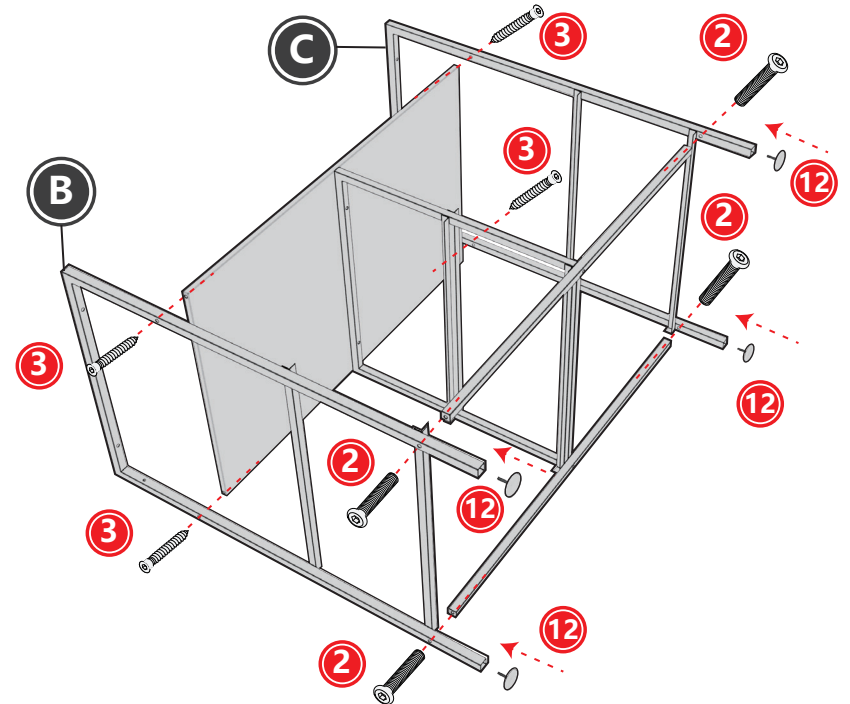
Connect the second-layer shelf and assemble the main frame.



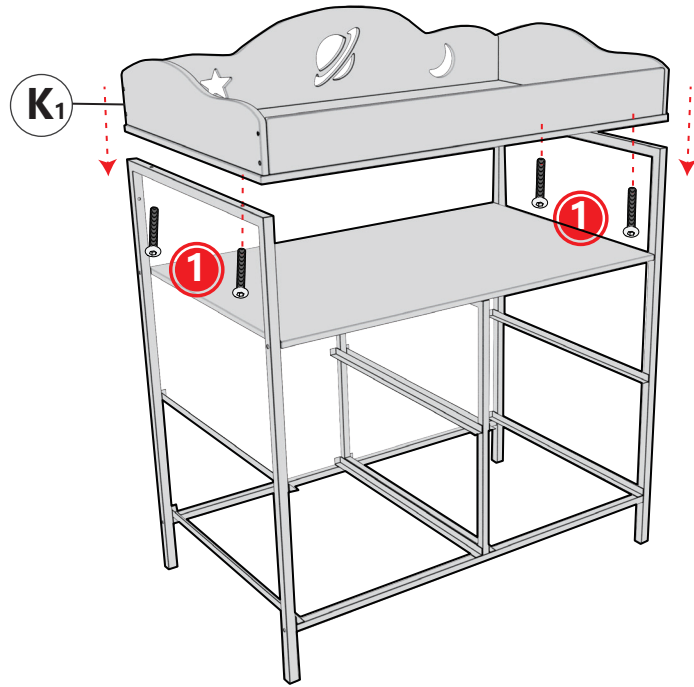
## STEP 4



## STEP 5

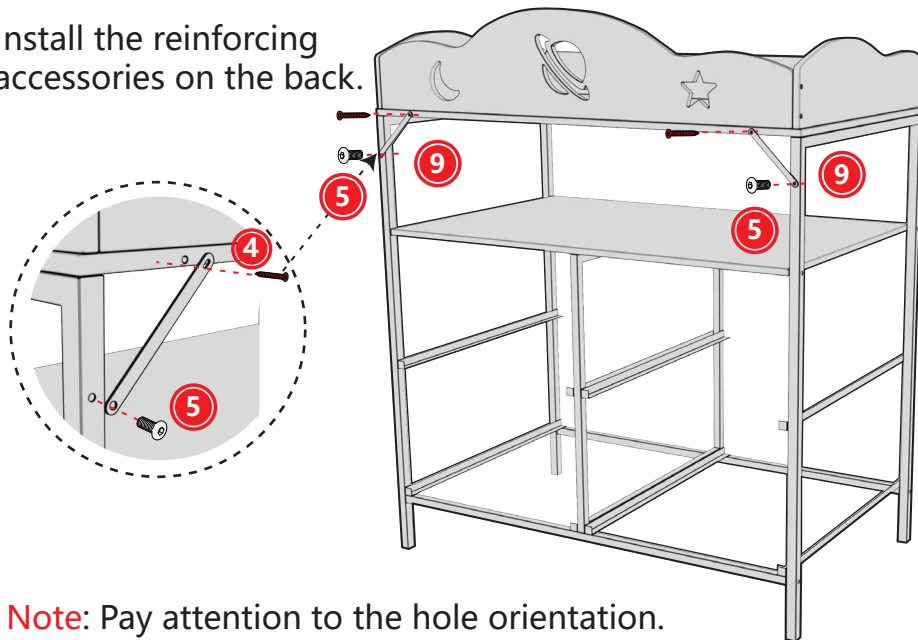


STEP 6



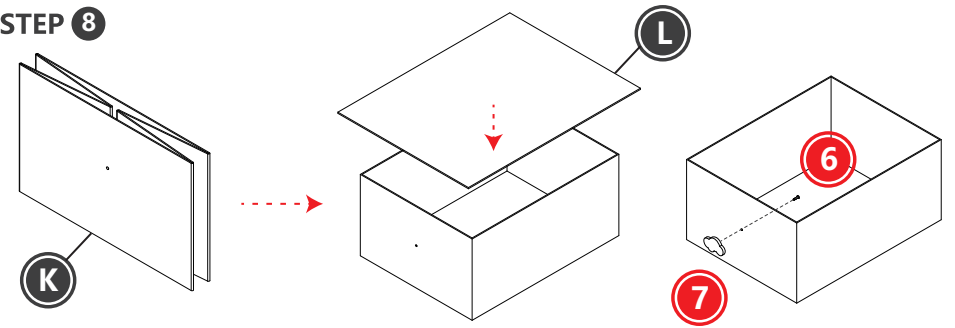
STEP 7

Install the reinforcing accessories on the back.



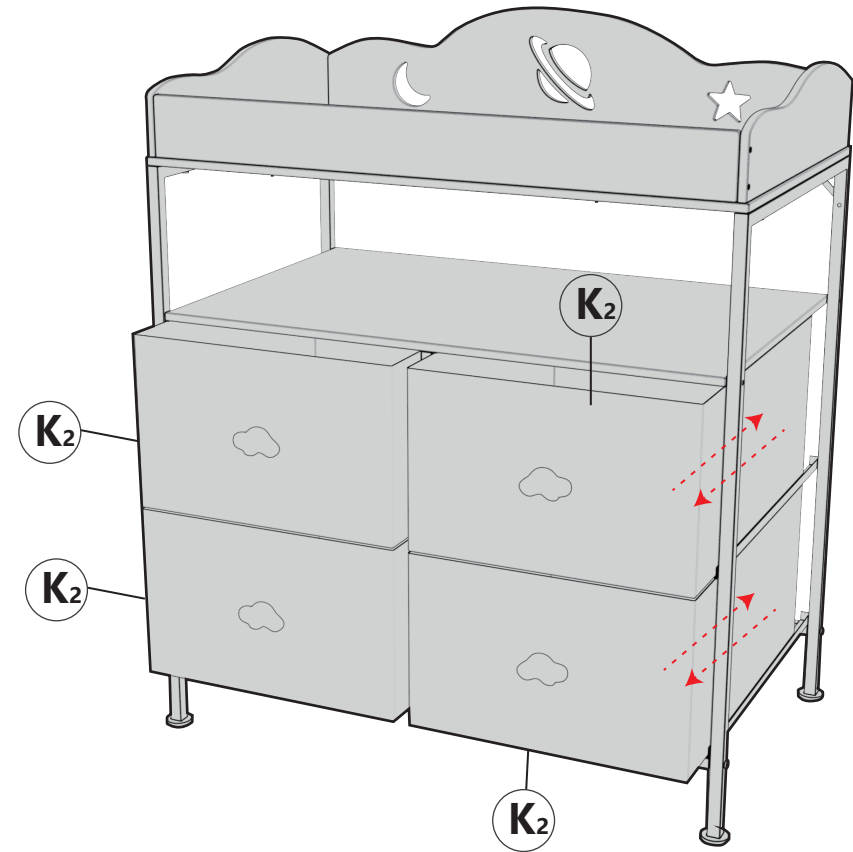
Note: Pay attention to the hole orientation.

STEP 8



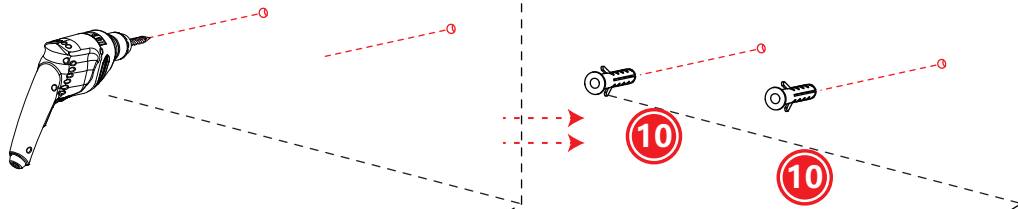
Assembling parts K and L yields part K<sub>2</sub>.

STEP 9



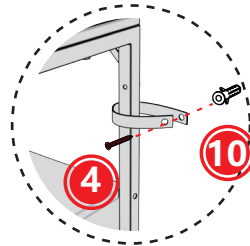
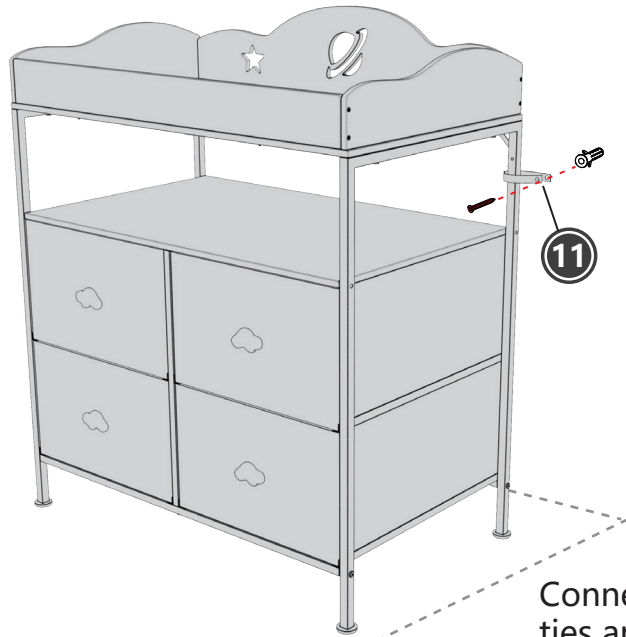
Insert the drawers.

**STEP 10**



Drill holes and insert expansion screws.

**STEP 11**



Connect the cable ties and insert the screws.

# POKIPO

## WARRANTY AND SERVICE

Our commitment to you doesn't end with the purchase. If you encounter any issues or have questions about our products, feel free to contact our dedicated customer service team. We are here to help and will go the extra mile to ensure your satisfaction. Your happiness is our priority, and we'll work tirelessly to resolve any problems you may encounter. Don't hesitate to reach out; we are always ready to assist you.