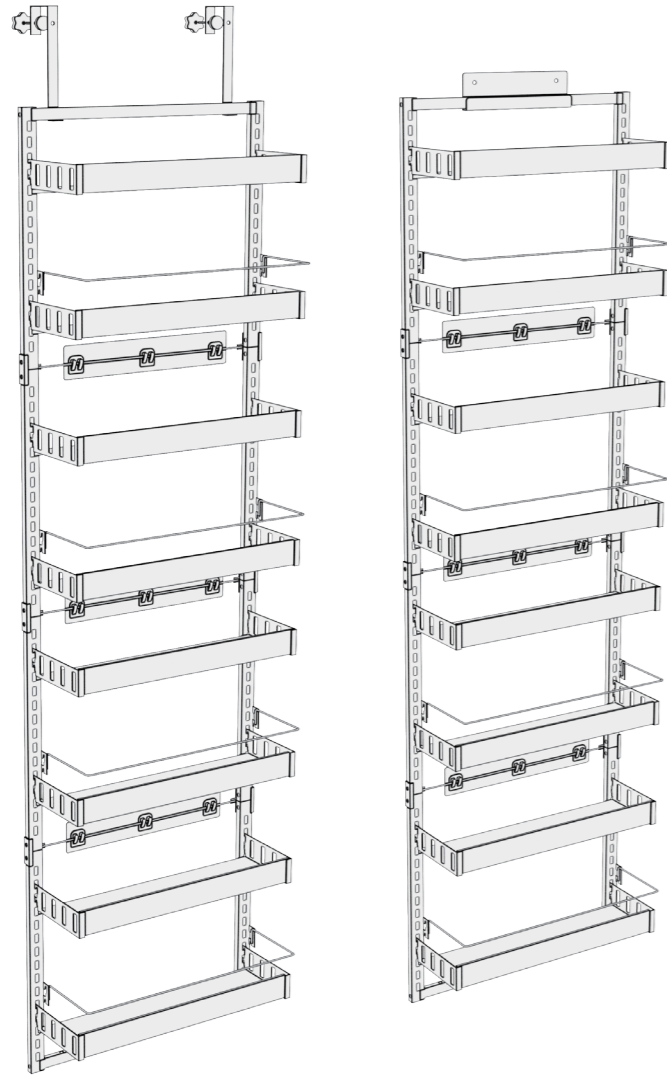


Over the Door Pantry Organizer

Installation Instructions

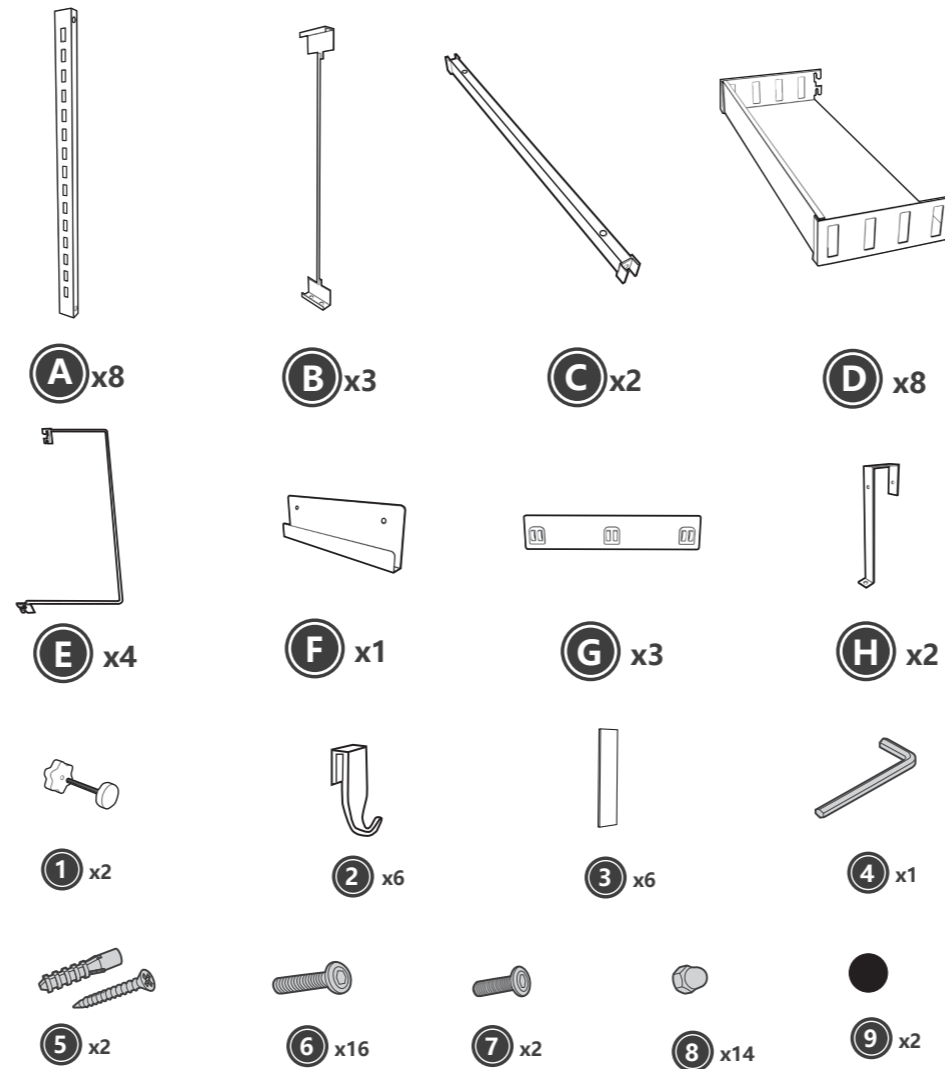


Read this manual carefully and completely, and retain for future reference.

WARNINGS & CAUTIONS

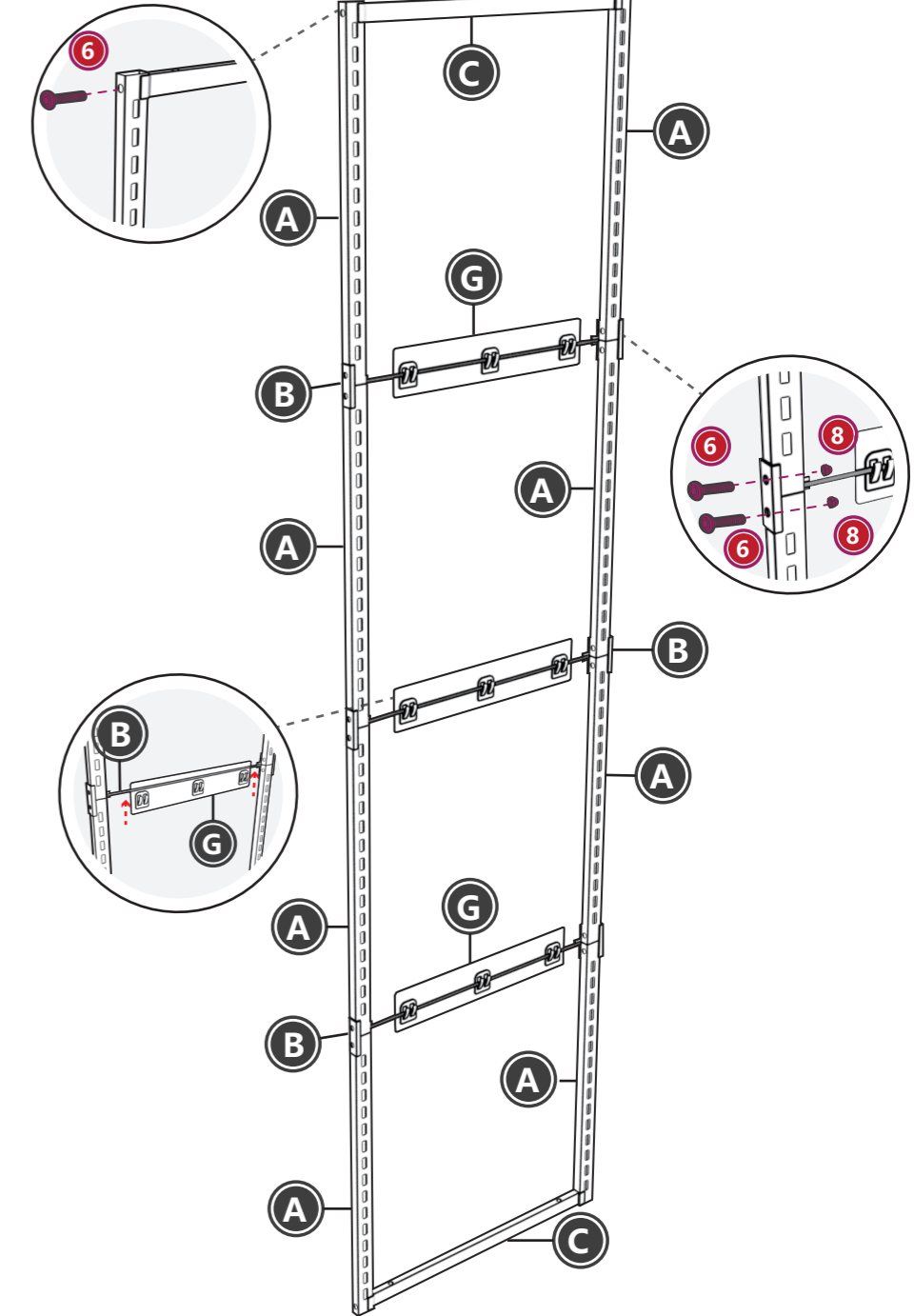
- Small parts are included. Please keep this product away from children while assembling it.
- Before installation, check all parts according to the parts list and verify whether the parts are complete. Contact us if you have any questions.
- The cut surface of the tube is sharp. DO NOT touch the cut surface.

PARTS LIST

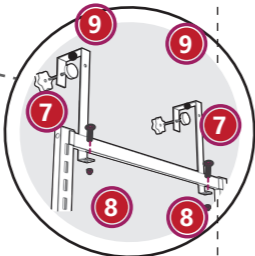


INSTALLATION STEPS

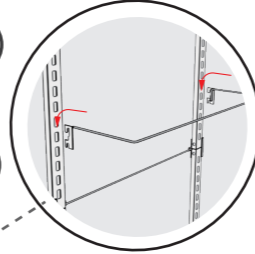
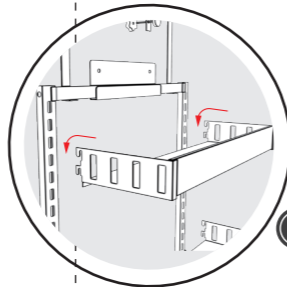
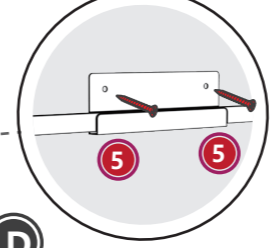
STEP 1



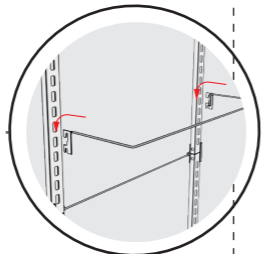
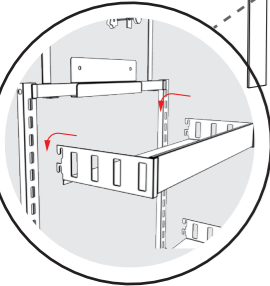
STEP 2



STEP 3



Note:
Wall mounting: 2 options (see homepage diagram),
Stabilizers: Install ③ and G as shown.



POKIPO